

Manual de Despiece  
Exclusivo Competición



Parts Book 

Exclusive Competition

**TRS ONE**  
GOLD SERIES

125-250-280-300

2023



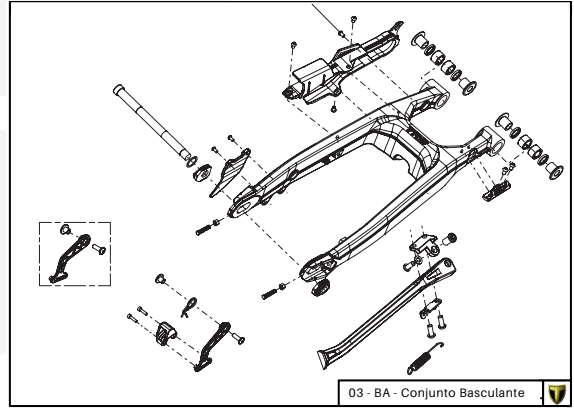
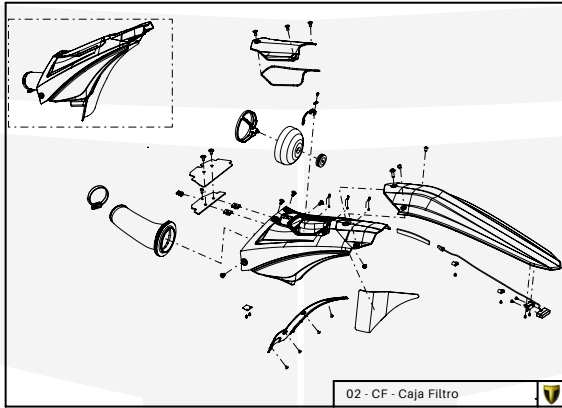
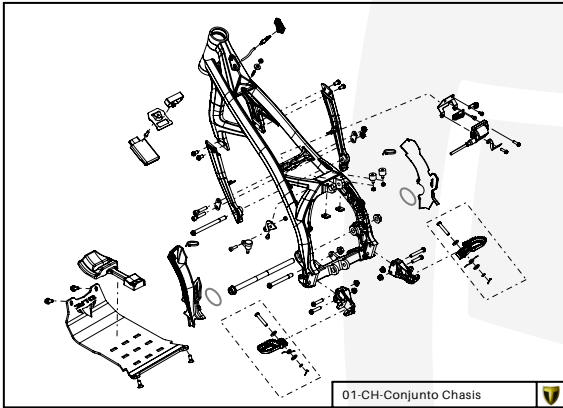
Imagen: Moto exclusivamente para competición y circuito cerrado.  
Picture: Motorcycle only for competition and closed circuit.



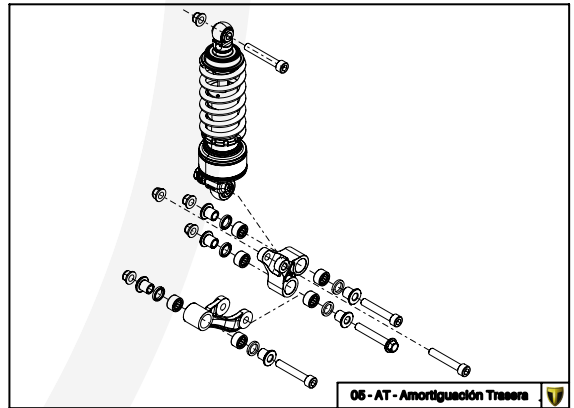
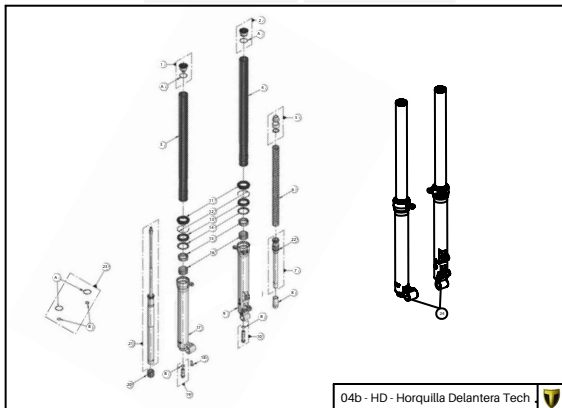
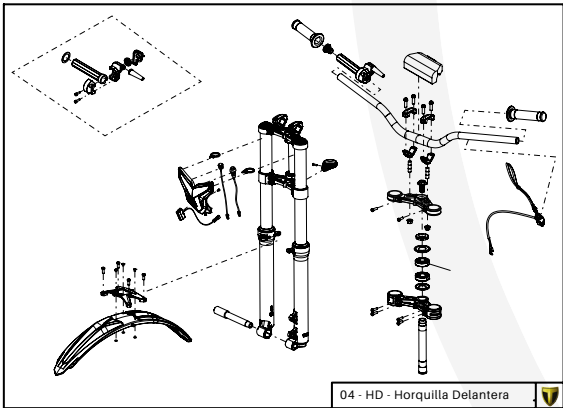
**TRS**  
MOTORCYCLES

Despiece / Parts Book TRRS GOLD - 2023

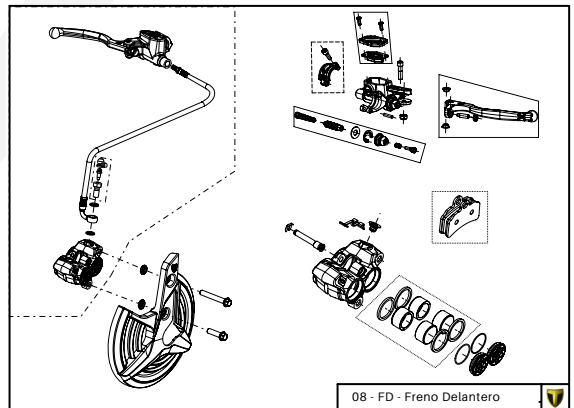
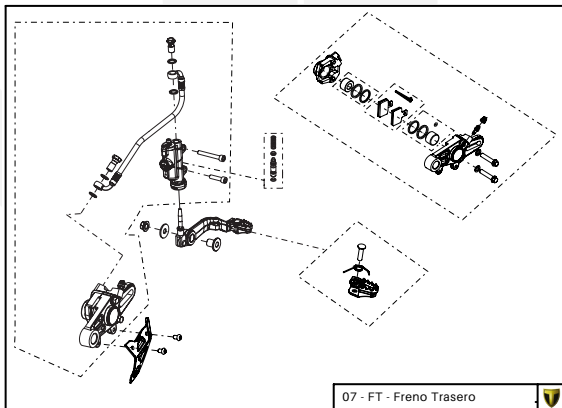
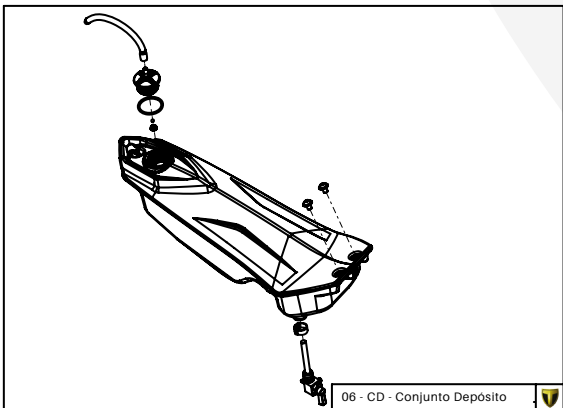
D



C



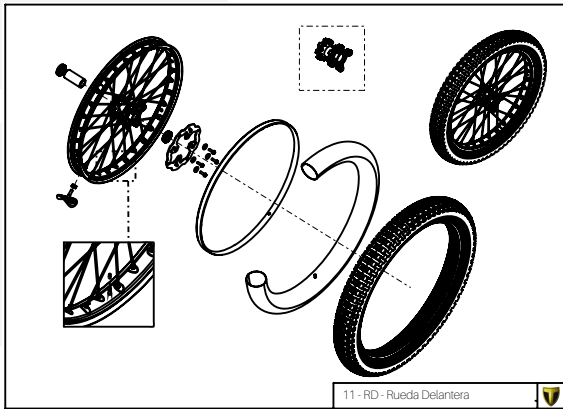
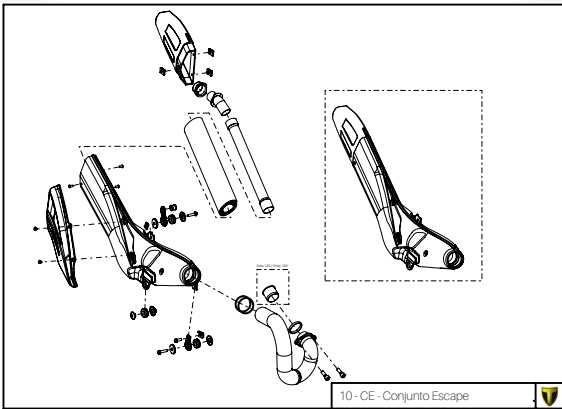
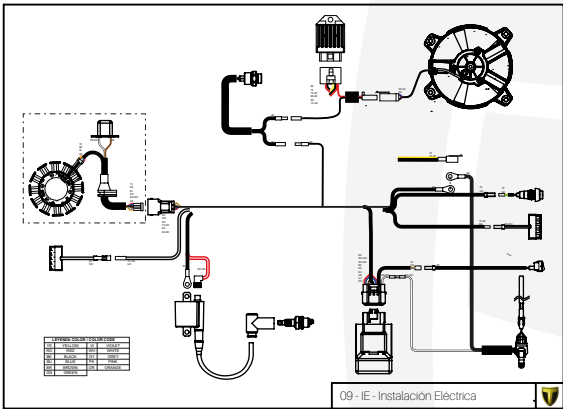
B



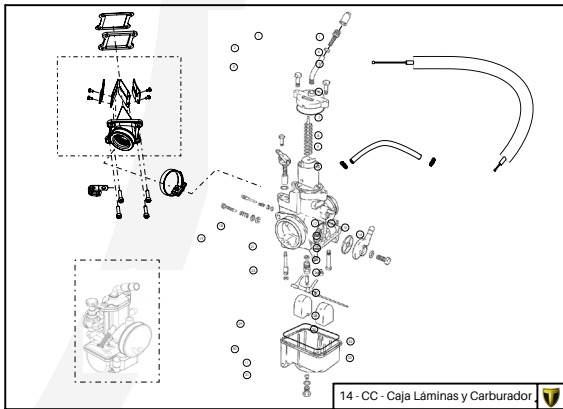
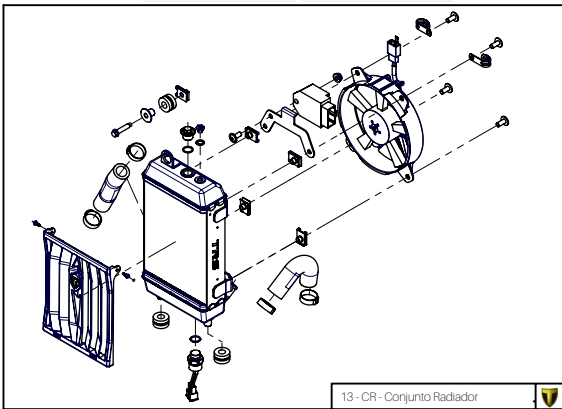
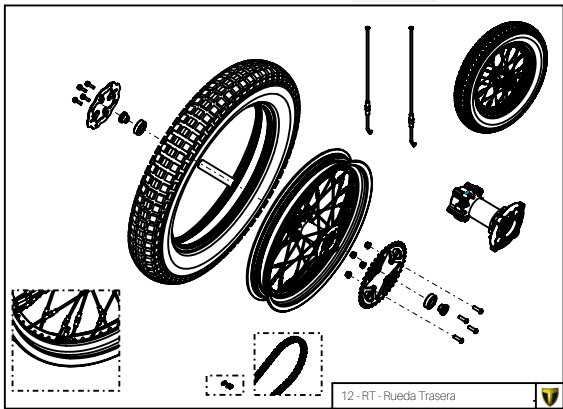
A

Despiece / Parts Book TRRS GOLD - 2023

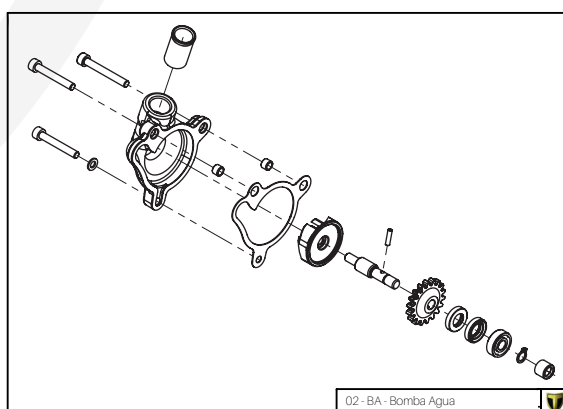
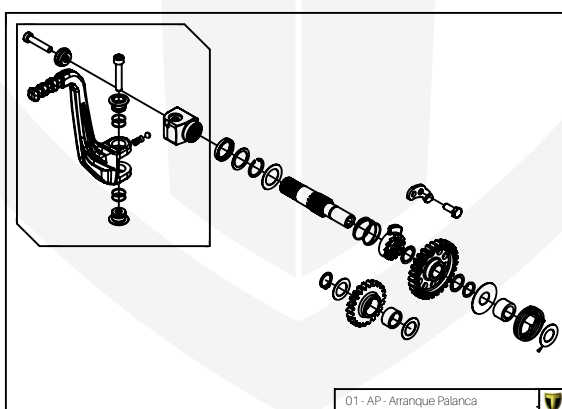
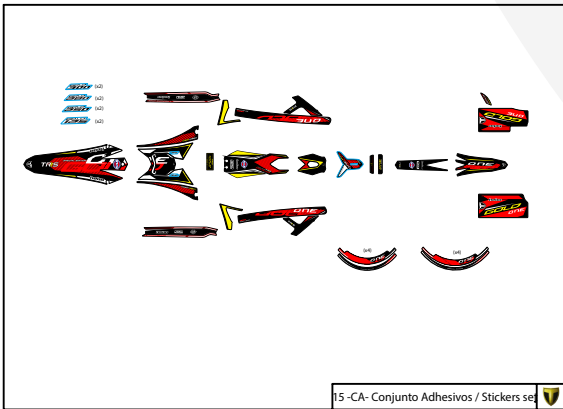
D



C



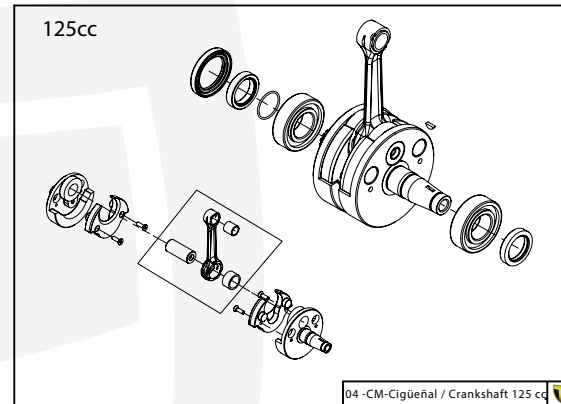
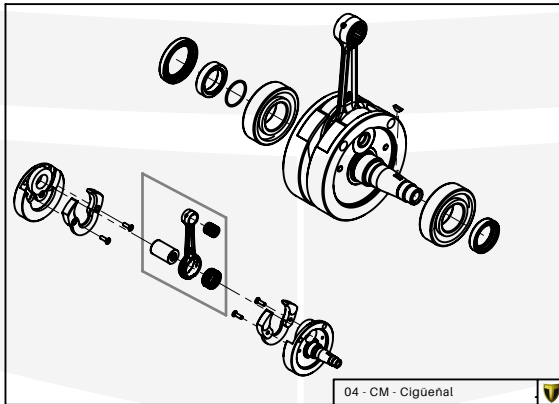
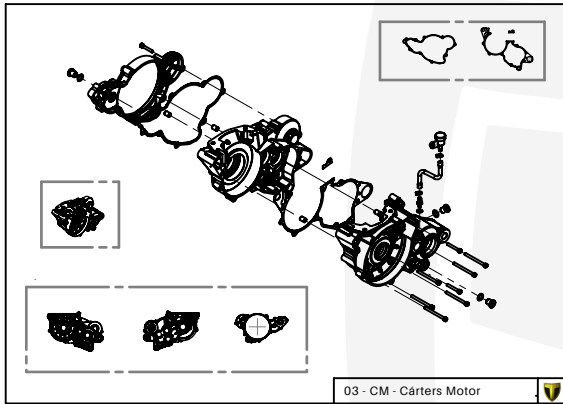
B



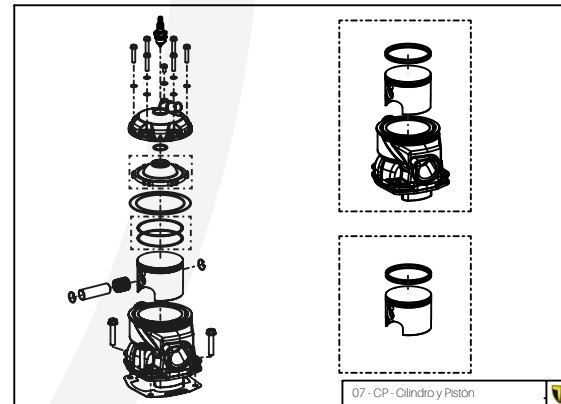
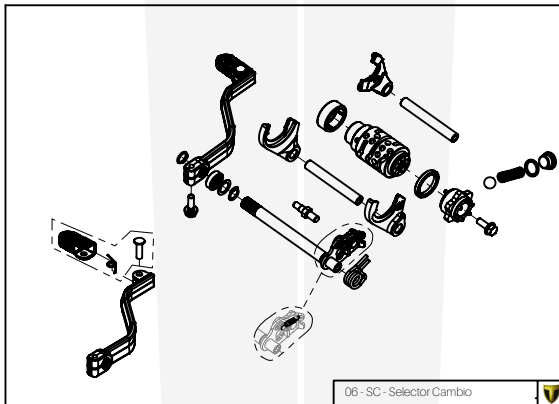
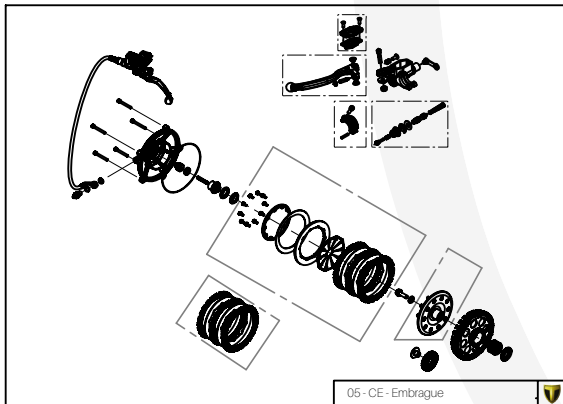
A

Despiece / Parts Book TRRS GOLD - 2023

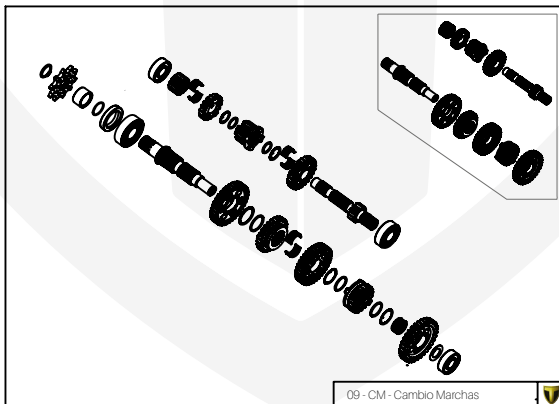
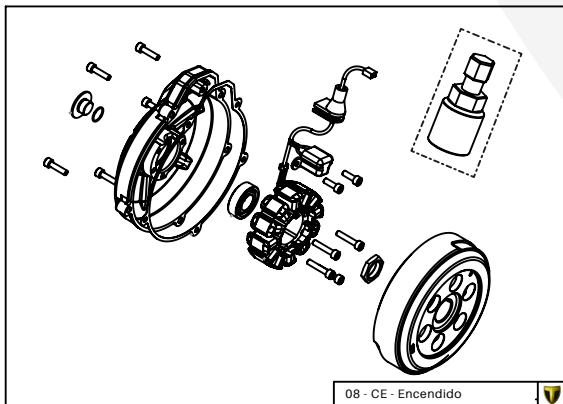
D



C



B



A

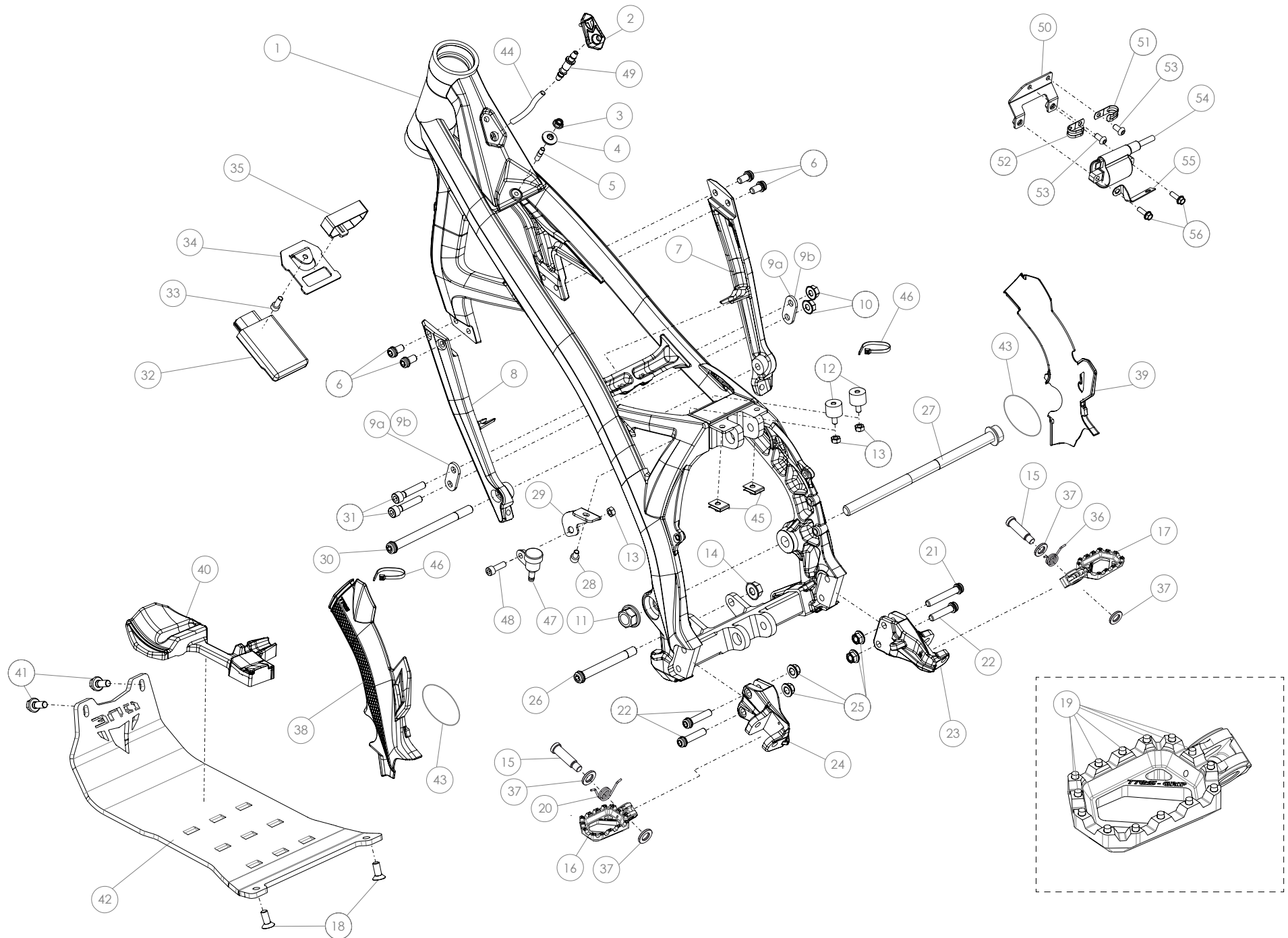


D

C

B

A



## Despiece / Parts Book TRRS GOLD 2023

## 01 - CH - Conjunto Chasis - Listado de Piezas

| Nº | Código            | Descripción  | Description   | Cantidad  |
|----|-------------------|--|---|-----------|
| 01 | <b>01001TR101</b> | Chasis (Blanco)  | Frame (White)   | <b>1</b>  |
| 02 | <b>01002TR100</b> | Pasamuro Tubo Desvaporizador                           | Vent hose connection plate                              | <b>1</b>  |
| 03 | <b>51501</b>      | Tuerca Autoblocante M6 - Depósito                      | Locknut, M6 fuel tank                                   | <b>1</b>  |
| 04 | <b>56901</b>      | Arandela Metal - Goma Depósito Gasolina                | Washer, rubber-metal, fuel tank                         | <b>1</b>  |
| 05 | <b>01003TR100</b> | Esparrago Roscado M6 Depósito Gasolina                 | Fuel tank mounting stud, M6                             | <b>1</b>  |
| 06 | <b>50801</b>      | Tornillo Allen DIN 7984 M8X14mm - Brazos Chasis        | Allen, DIN7984 8x14mm - Chassis brace                   | <b>4</b>  |
| 07 | <b>01004TR104</b> | Brazo derecho chasis (Pintado negro)                   | Front right subframe (Black painted)                    | <b>1</b>  |
| 08 | <b>01005TR104</b> | Brazo izquierdo chasis (Pintado negro)                 | Front left subframe (Black painted)                     | <b>1</b>  |
| 9a | <b>01006TR100</b> | Soporte motor  | Engine support  | <b>2</b>  |
| 9b | <b>01020TR100</b> | Soporte motor 125                                      | Engine brace 125  | <b>2</b>  |
| 10 | <b>51502</b>      | Tuerca Autoblocante M8                                 | Nut. locking type, M8 engine                            | <b>2</b>  |
| 11 | <b>01007TR100</b> | Tuerca Eje Basculante                                  | Nut, swing-arm shaft                                    | <b>1</b>  |
| 12 | <b>63001</b>      | Silentblock M6 20x15 - Chasis Depósito                 | Silentblock, (isolator) M6 20x15 - Chassis to fuel tank | <b>2</b>  |
| 13 | <b>51501</b>      | Tuerca Autoblocante M6 - Silentblock                   | Locknut, M6, Silentblock                                | <b>3</b>  |
| 14 | <b>51503</b>      | Tuerca Autoblocante M10x1,25 - Tornillo Inferior Motor | Locknut, M10x1.25 - Lower engine bolt                   | <b>1</b>  |
| 15 | <b>01035TR100</b> | Tornillo estribera                                     | Bolt footrest   | <b>2</b>  |
| 16 | <b>01032TR100</b> | Estribera mecanizada izquierda                         | Footpeg left side                                       | <b>1</b>  |
| 17 | <b>01033TR100</b> | Estribera mecanizada derecha                           | Footpeg right side                                      | <b>1</b>  |
| 18 | <b>50307</b>      | Tornillo avellanado M8x20                              | Screw countersunk head, M8x20                           | <b>2</b>  |
| 19 | <b>61004</b>      | Aguja 3x7,8  | Needle 3x7,8  | <b>28</b> |
| 20 | <b>01037TR100</b> | Muelle estribera izquierda (pasador de Ø10)            | Spring footpeg left (pin Ø10)                           | <b>1</b>  |
| 21 | <b>50809</b>      | Tornillo Allen M8X50 - Soporte Estribos                | Allen bolt, M8x50                                       | <b>1</b>  |
| 22 | <b>50808</b>      | Tornillo Allen M8X30 - Soporte Estribos                | Allen bolt, M8x30                                       | <b>3</b>  |
| 23 | <b>01010TR131</b> | Soporte estribera derecha (Mecanizada/Pintado negro)   | Support footrest right (Cnc/Black painted)              | <b>1</b>  |
| 24 | <b>01011TR131</b> | Soporte estribera izquierda (Mecanizada/Pintado negro) | Support footrest left (Cnc/Black painted)               | <b>1</b>  |
| 25 | <b>51502</b>      | Tuerca Autoblocante M8 - Soporte Estribos              | locknut, M8 - footrest support                          | <b>4</b>  |
| 26 | <b>50105</b>      | Tornillo DIN 912 M10x90x1,25 - Inferior Motor          | Bolt, DIN 912 M10x90x1.25 - engine lower                | <b>1</b>  |
| 27 | <b>01012TR100</b> | Eje Basculante   | Swingarm pivot shaft                                    | <b>1</b>  |
| 28 | <b>50101</b>      | Tornillo DIN 912 M6x10 - Soporte Depósito Aceite Freno | Bolt, DIN 912 M6x10 - Support, brake fluid reservoir    | <b>1</b>  |
| 29 | <b>01013TR100</b> | Soporte depósito freno trasero ONE                     | Support, rear brake fluid reservoir ONE                 | <b>1</b>  |



## Despiece / Parts Book TRRS GOLD 2023

## 01 - CH - Conjunto Chasis - Listado de Piezas

| Nº | Código     | Descripción                                     | Description   | Cantidad |
|----|------------|---|---|----------|
| 30 | 50102      | Tornillo DIN 912 M10x130 - Superior Motor       | Bolt, DIN 912 M10x130 - Engine upper                            | 1        |
| 31 | 50901      | Tornillo DIN 6921 M8x40 - Soporte Culata        | Bolt, DIN 6921 M8x40 - Cylinder head support                    | 2        |
| 32 | 70253      | CDI T/Sensor                                    | CDI T/Sensor  | 1        |
| 33 | 50104      | Tornillo DIN 912 M6x20 - Soporte Chapa CDI      | Bolt, DIN 912 M6x20 - CDI mounting plate                        | 1        |
| 34 | 01014TR100 | Soporte CDI                                     | CDI support   | 1        |
| 35 | 58012      | Velcro CDI                                      | CDI hook and loop fastening strap                               | 1        |
| 36 | 01036TR100 | Muelle estribera derecha (pasador de Ø10)       | Spring footpeg right (pin Ø10)                                  | 1        |
| 37 | 01034TR100 | Arandela estribo Ø10                            | Washer Ø10 footrest   | 4        |
| 38 | 01027TR100 | Protector chasis lateral izquierdo              | Frame protection left side                                      | 1        |
| 39 | 01026TR100 | Protector chasis lateral derecho                | Frame protection right side                                     | 1        |
| 40 | 01039TR100 | Goma protector carter TRRS                      | Crankcase rubber protection TRRS                                | 1        |
| 41 | 50904      | Tornillo DIN 6921 M8x16 - Placa Carter Superior | Bolt, DIN 6921 M8x16 - Engine protector plate, front            | 2        |
| 42 | 01038TR100 | Protector carter estriado ONE II                | Skid plate ONE II   | 1        |
| 43 | 53024      | Torica 40x3                                     | O-ring 40x3   | 2        |
| 44 | 62103      | Tubo goma desvaporizador pasamuros chasis       | Rubber hose, frame fuel vent                                    | 0,4m     |
| 45 | 51301      | Tuerca Rápida Universal M6                      | Universal clip-nut, M6  | 2        |
| 46 | 58006      | Brida Plástico 3,6x200                          | Plastic retention strap   | 2        |
| 47 | 01018TR100 | Depósito Desvaporizador                         | Reservoir, ventilator   | 1        |
| 48 | 50903      | Tornillo M6x16                                  | Bolt, Allen, M6x16  | 1        |
| 49 | 01021TR100 | Tubo desvaporizador pasamuro                    | Plug fuel tube pipe fuel vent                                   | 1        |
| 50 | 01015TR100 | Soporte Bobina                                  | Ignition coil support   | 1        |
| 51 | 58001      | Abrazadera para Cableado 60mm                   | Clamp for cables, 60mm  | 1        |
| 52 | 58002      | Abrazadera para Cableado 100mm                  | Clamp for cables, 100mm   | 1        |
| 53 | 50902      | Tornillo DIN 6921 M6x10 Soporte Bobina Chasis   | Bolt, DIN 6921 M6x10, ignition coil mounting plate to chassis   | 2        |
| 54 | 70240      | Bobina de alta                                  | Ignition coil (See (04) in 09-EI-Electrical Installation sheet) | 1        |
| 55 | 01030TR100 | Soporte conector encendido                      | Ignition connector support                                      | 1        |
| 56 | 50903      | Tornillo hexagonal con valona M6x16             | Bolt hexagonal with washer M6x16                                | 2        |

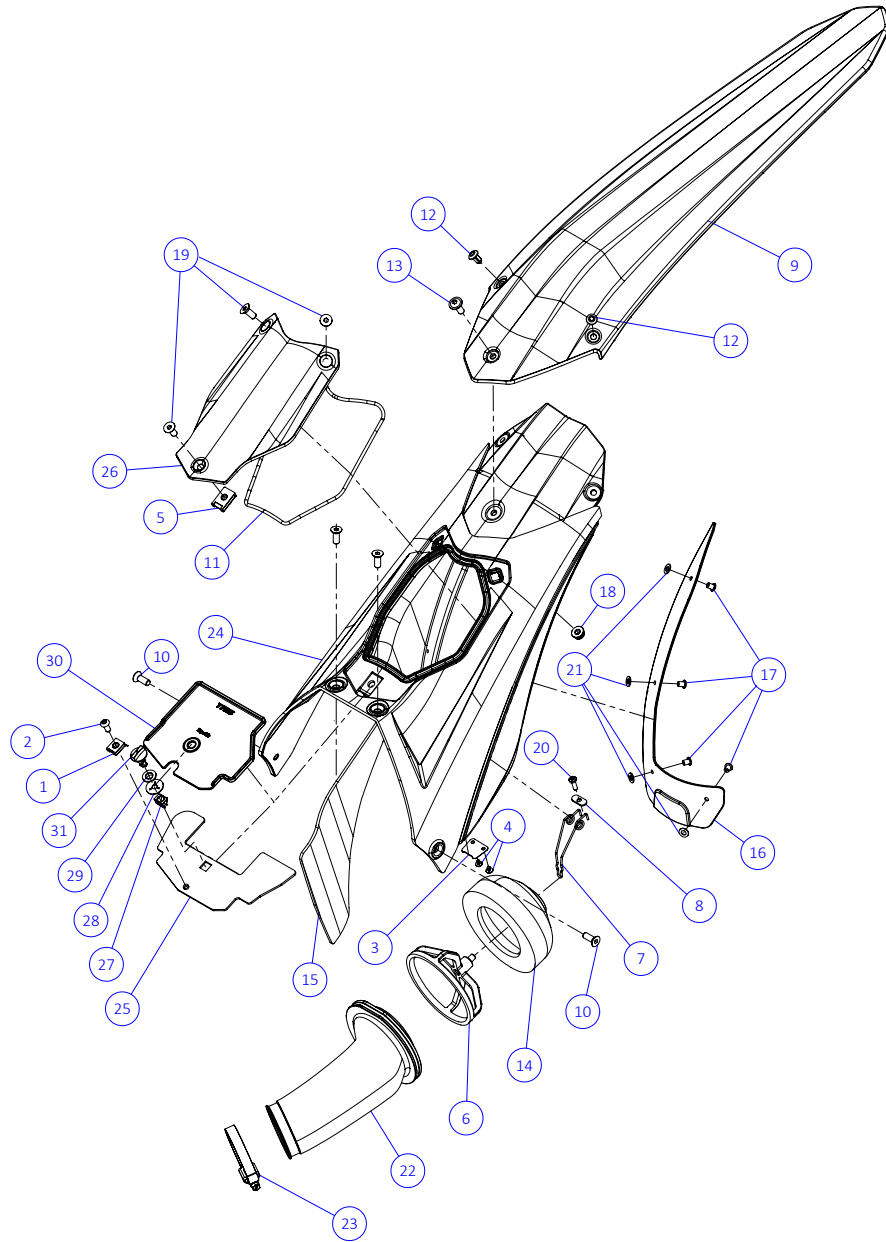
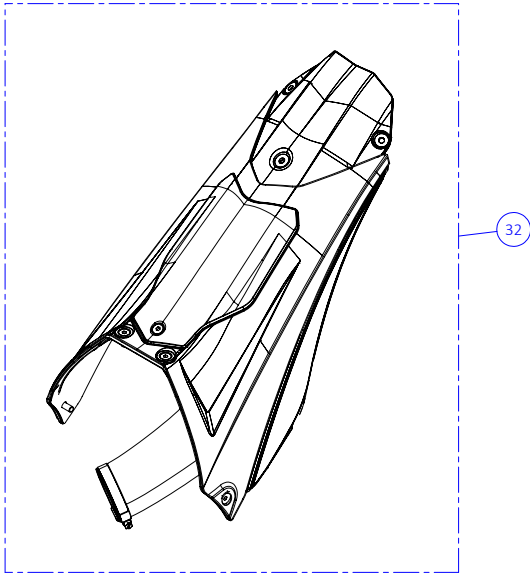


D

C

B

A





## Despiece / Parts Book TRRS GOLD 2023

## 02 - CF - Caja Filtro - Listado de Piezas

| Nº | Código     | Descripción                                       | Description                                      | Cantidad |
|----|------------|---|--|----------|
| 1  | 51302      | Tuerca rápida universal M5                        | Universal speed nut M5                           | 1        |
| 2  | 50210      | Tornillo alomado allen M5x12                      | Bolt allen M5x12                                 | 1        |
| 3  | 02014TR100 | Lámina desagüe - Caja filtro                      | Drain flap, air filter box                       | 1        |
| 4  | 50601      | Tornillo rosca chapa DIN 7981 2,9x6,5             | Screw, DIN 7981 2.9x6,5                          | 2        |
| 5  | 51301      | Tuerca Rápida Universal M6                        | Universal clip-nut, M6                           | 1        |
| 6  | 02006TR100 | Jaula filtro aire                                 | Cage air filter                                  | 1        |
| 7  | 02009TR100 | Muelle fijación espuma filtro                     | Spring, air filter retention                     | 1        |
| 8  | 02008TR100 | Fijacion muelle filtro                            | Fixing filter spring                             | 1        |
| 9  | 02003TR100 | Guardabarros trasero                              | Rear mudguard (fender)                           | 1        |
| 10 | 50306      | Tornillo avellanado M6x16                         | Bolt countersunk M6x16                           | 4        |
| 11 | 02002TR100 | Junta tapa filtro aire                            | Seal air filter cover                            | 1        |
| 12 | 65001      | Remache plástico 6x12                             | Plastic rivot 6x12                               | 2        |
| 13 | 50202      | Tornillo DIN 7380-fl M6x16 - Guardabarros trasero | Bolt, DIN 7380-fl M6x16 - Rear mudguard (fender) | 1        |
| 14 | 02007TR100 | Espuma filtro aire con goma                       | Air filter element with groomet                  | 1        |
| 15 | 02011TR100 | Protector anticalórico - Caja filtro              | Heat shield, air filter box                      | 1        |
| 16 | 02018TR100 | Protector caja filtro                             | Protector, air filter box                        | 1        |
| 17 | 65004      | Remache negro 4,8x12mm                            | Black Rivet, 4.8x12mm                            | 4        |
| 18 | 51501      | Tuerca Autoblocante M6                            | Locknut M6                                       | 1        |
| 19 | 50302      | Tornillo avellanado M6x14                         | Bolt countersunk M6x14                           | 3        |
| 20 | 50607      | Tornillo rosca chapa DIN 7981 4,2x13              | Screw, course thread DIN 7981 4,2x13             | 1        |
| 21 | 56301      | Arandela Ø5                                       | Washer Ø5  | 4        |
| 22 | 02017TR100 | Tobera - Caja filtro                              | Intake hose, air filter box                      | 1        |
| 23 | 58003      | Abrazadera - Norma 40-60                          | Clamp - Norma 40-60                              | 1        |
| 24 | 02020TR100 | Caja filtro aire fibra de carbono V1              | Air box carbon fiber V1                          | 1        |
| 25 | 02032TR100 | Soporte deflector caja filtro aire II             | Air box baffle support II                        | 1        |
| 26 | 02019TR100 | Tapa caja filtro aire fibra de carbono            | Cover air box carbon fiber                       | 1        |
| 27 | 73803      | Cierre media vuelta hembra caja filtro            | Air box female half turn lock                    | 1        |
| 28 | 73802      | Arandela cierre media vuelta                      | Half turn lock washer                            | 1        |
| 29 | 02033TR100 | Casquillo deflector caja filtro II                | Bushing air box baffle II                        | 1        |
| 30 | 02026TR100 | Deflector caja filtro aire                        | Air box baffle                                   | 1        |



## Despiece / Parts Book TRRS GOLD 2023

| Nº | Código            | Descripción                           | Description                              | Cantidad |
|----|-------------------|---------------------------------------|--|----------|
| 31 | <b>73801</b>      | Cierre media vuelta macho caja filtro | <i>Air box male half turn lock</i>       | 1        |
| 32 | <b>02023TR100</b> | Conjunto caja filtro de carbono V1    | <i>Carbon air filter box assembly V1</i> | 1        |

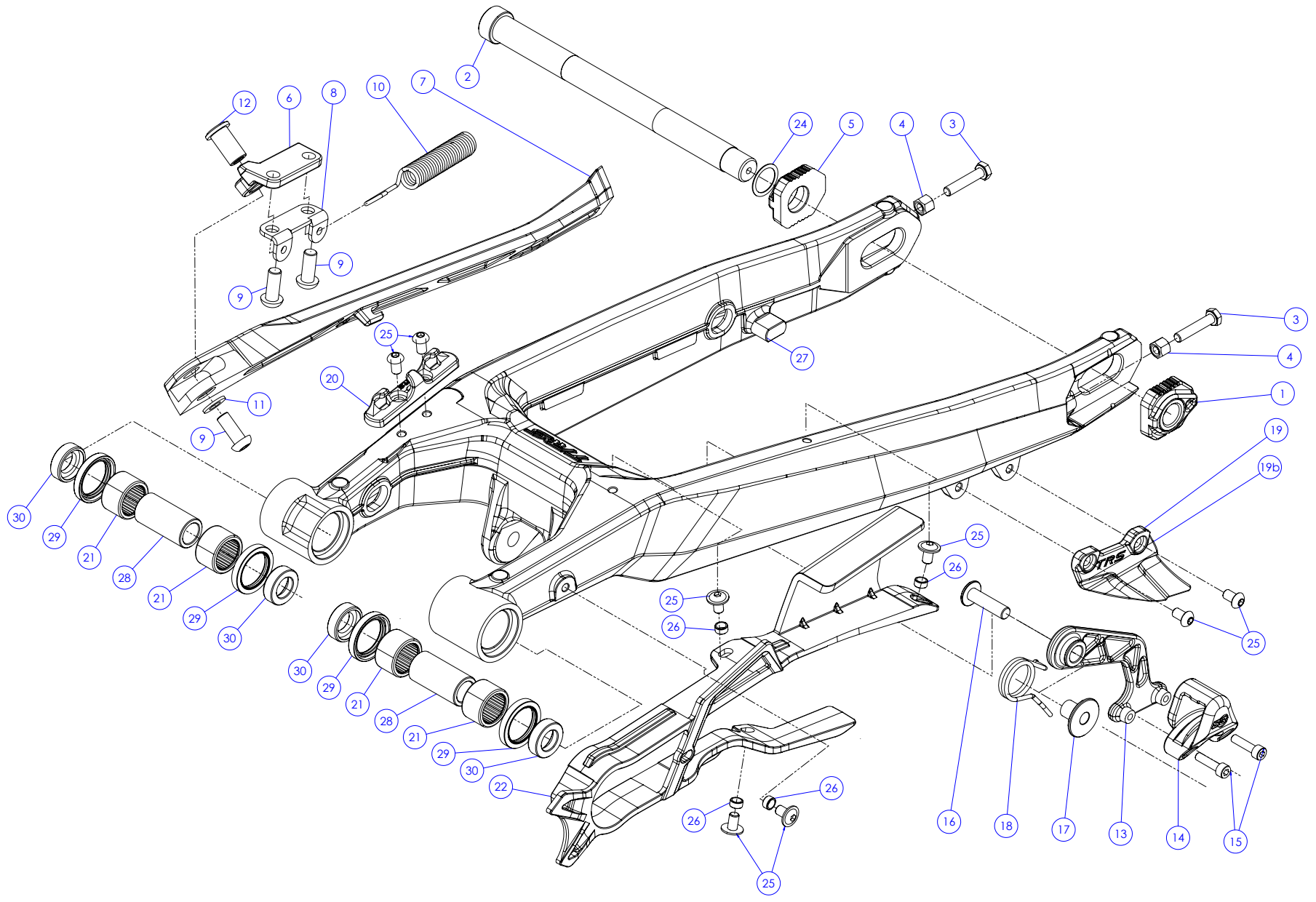


D

C

B

A



## Despiece / Parts Book TRRS GOLD 2023

## 03 - BA - Basculante - Listado de Piezas

| Nº  | Código     | Descripción                            | Description                         | Cantidad |
|-----|------------|--|-------------------------------------|----------|
| 1   | 03010TR100 | Tensor eje rueda trasera roscado       | Tensioner threaded, rear wheel axle | 1        |
| 2   | 03008TR100 | Eje rueda trasera                      | Axle, rear wheel                    | 1        |
| 3   | 50501      | Tornillo DIN 933 M6 - Tensor Eje Rueda | BOLT DIN 933 M6X30 10.9             | 2        |
| 4   | 51103      | Tuerca DIN 6330 M6 - Tensor Eje Rueda  | HEX NUT DIN 6330 M6 10.9            | 2        |
| 5   | 03009TR100 | Tensor eje rueda                       | Tensioner, rear axle side           | 1        |
| 6   | 03003TR100 | Soporte caballete                      | Side-stand support                  | 1        |
| 7   | 03006TR101 | Caballete II                           | Side stand II                       | 1        |
| 8   | 03005TR100 | Soporte muelle caballete               | Side stand spring support           | 1        |
| 9   | 50201      | Tornillo allen alomado M8x20           | Bolt allen M8x20                    | 3        |
| 10  | 03007TR100 | Muelle caballete                       | Spring, side-stand                  | 1        |
| 11  | 56303      | Arandela M8 - Pasador Estribo          | Washer, M8                          | 1        |
| 12  | 03004TR100 | Bulon caballete                        | Pin side stand                      | 1        |
| 13  | 03020TR100 | Palanca remachada tensor cadena        | Chain tensioner riveted             | 1        |
| 14  | 70102      | Goma Tensor                            | Rubber block, chain tensioner       | 1        |
| 15  | 50112      | Tornillo allen M5x20                   | Bolt, allen M5x20                   | 2        |
| 16  | 50217      | Tornillo allen con valona M8x30        | Screw allen with washer M8x30       | 1        |
| 17  | 03029TR100 | Casquillo tensor cadena II             | Chain tensioner bushing II          | 1        |
| 18  | 03030TR100 | Muelle tensor cadena II                | Chain tension spring II             | 1        |
| 19  | 03011TR101 | Protector corona                       | Sprocket protector                  | 1        |
| 19b | 03026TR100 | Protector corona 125cc                 | Sprocket protector 125cc            | 1        |
| 20  | 03017TR100 | Guía latiguillo freno trasero          | Guide, brake hose                   | 1        |
| 21  | 52501      | Rodamiento basculante 20x16            | Bearing, swing-arm 20x16            | 4        |
| 22  | 03015TR100 | Guía Cadena                            | Chain guide                         | 1        |
| 23  | 50203      | Tornillo allen con arandela M6x10      | Bolt allen with washer M6x10        | 4        |
| 24  | 03016TR100 | Arandela Eje Rueda Trasera 22x17x0,5   | Washer, 22x17x0,5                   | 1        |
| 25  | 50204      | Tornillo allen cabeza redonda M6x10    | Bolt, allen round head M6x10        | 4        |
| 26  | 57007      | Casquillo Ø6x8x4                       | Bushing Ø6x8x4                      | 4        |
| 27  | 03028TR101 | Basculante II (Negro)                  | Swing arm II (negro painted)        | 1        |
| 28  | 03025TR100 | Bulon basculante                       | Swing arm pin                       | 2        |
| 29  | 54012      | Reten basculante 24x32x5 KC            | Seal swing arm 24x32x5 KC           | 4        |
| 30  | 03027TR100 | Casquillo reten basculante             | Bushing seal swing arm              | 4        |



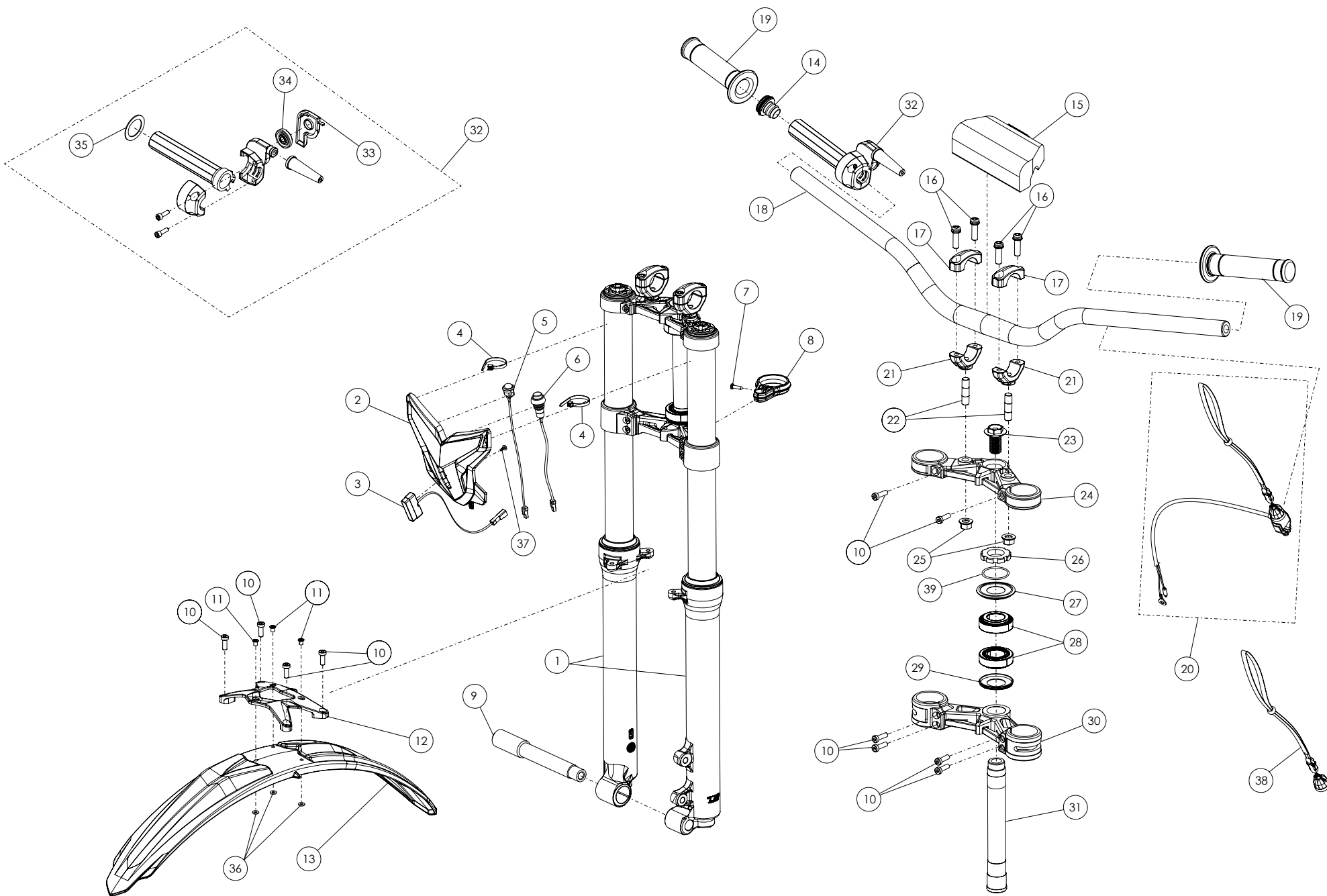


D

C

B

A



## Despiece / Parts Book TRRS GOLD 2023

## 04 - HD - Horquilla Delantera - Listado de Piezas

| Nº | Código     | Descripción  | Description   | Cantidad |
|----|------------|--|---|----------|
| 1  | 04034TR100 | Cjto. horquilla delantera barras Kashima   | Front fork set, Kashima tube  | 1        |
| 2  | 04001TR102 | Careta faro racing roja  | Head light mask racing red  | 1        |
| 3  | 70209      | Led Delantero - (véase (10) en la lámina 09-IE-Instalación Eléctrica)                  | LED lights, TRS - (see item 10 in drawing 09-IE electrical system)            | 1        |
| 4  | 58006      | Brida Plástico 3,6x200   | Plastic retention strap   | 2        |
| 5  | 70208      | Interruptor Curva CDI - (véase (09) en la lámina 09-IE-Instalación Eléctrica)          | Switch, CDI ignition curve - (see item 09 in drawing 09-IE electrical system) | 1        |
| 6  | 70210      | Pulsador Led - (véase (11) en la lámina 09-IE-Instalación Eléctrica)                   | Switch, LED lights - (see item 11 in drawing 09-IE electrical system)         | 1        |
| 7  | 50608      | Tornillo DIN 7981 PHILIPS 3,9x13 Rosca Chapa Brida Guia Cable                          | Screw, DIN 7981 PHILIPS 3.9x13 Course Thread for cable guide                  | 1        |
| 8  | 04002TR100 | Brida Guía Latiguillo Freno  | Cable guide, brake hose   | 1        |
| 9  | 04003TR100 | Eje Rueda Delantera  | Axle, front wheel   | 1        |
| 10 | 50805      | Tornillo DIN 912 M6x16   | Bolt, DIN 912 M6x16   | 10       |
| 11 | 65004      | Remache 4,8x12mm - Guardabarros - Negro  | Black Rivet, 4.8x12mm Mudguard (Fender)                                       | 3        |
| 12 | 04004TR102 | Soporte guardabarros delantero fibra de carbono  | Front mudguard holder carbon fiber  | 1        |
| 13 | 04005TR101 | Guardabarros delantero negro   | Front mudguard black  | 1        |
| 14 | 70124      | Rodamiento mando gas   | Throttle control bearing  | 1        |
| 15 | 70123      | Protector manillar Renthal   | Bar pad Renthal   | 1        |
| 16 | 50806      | Tornillo Allen DIN 912 M8x25 - Bridas Manillar   | Bolt, Allen DIN 912 M8x25 - Handlebar clamps                                  | 4        |
| 17 | 04007TR101 | Brida Superior Manillar Negro  | Black Clamp, handlebar upper  | 2        |
| 18 | 70121      | Manillar Renthal (Negro)   | Handlebar Renthal (Black)   | 1        |
| 19 | 70122      | Puños Renthal conjunto   | Hand grip Renthal set   | 1        |
| 20 | 70229      | Botón Paro Racing, Hombre al Agua - (véase (20) en lámina 09-IE-Instalación Eléctrica) | Stop button, Racing - (see item 20 in drawing 09-IE electrical system)        | 1        |
| 21 | 04008TR101 | Brida Inferior Manillar - Negro  | Black Clamp, handlebar lower  | 2        |
| 22 | 04009TR100 | Eje Brida Manillar   | Shaft, handlebar clamp  | 2        |
| 23 | 04010TR100 | Tornillo Eje Pipa Dirección  | Bolt, steering stem (shaft)   | 1        |
| 24 | 04017TR100 | Pletina superior suspensión mecanizada anodizada negra                                 | Top triple clamp CNC black anodized   | 1        |
| 25 | 51503      | Tuerca Autoblocante M10 - Eje Brida Manillar   | Nut, self locking M10 - handlebar clamp base                                  | 2        |
| 26 | 04036TR100 | Tuerca Pipa Dirección II   | Nut, steering stem (shaft) II   | 1        |
| 27 | 04013TR100 | Guardapolvos Superior  | Dust cover, upper   | 1        |
| 28 | 52401      | Rodamiento 25-47-15  | Bearing, 25-47-15   | 2        |



## Despiece / Parts Book TRRS GOLD 2023

## 04 - HD - Horquilla Delantera - Listado de Piezas

| Nº | Código            | Descripción  | Description                                   | Cantidad |
|----|-------------------|--|---|----------|
| 29 | <b>04014TR100</b> | Guardapolvos Inferior                                  | Dust cover, lower                             | 1        |
| 30 | <b>04018TR100</b> | Pletina inferior suspensión mecanizada anodizada negra | <i>Bottom triple clamp CNC black anodized</i> | 1        |
| 31 | <b>04016TR100</b> | Eje Pipa Dirección                                     | Steering stem (shaft)                         | 1        |
| 32 | <b>70129</b>      | Mando gas extra rapido                                 | Throttle control extra fast                   | 1        |
| 33 | <b>70106</b>      | Tapa Mando Gas   | Cap, throttle cable wheel                     | 1        |
| 34 | <b>70107</b>      | Rodillo Mando Gas                                      | Cable wheel, throttle                         | 1        |
| 35 | <b>70108</b>      | Arandela Mando Gas                                     | Washer, throttle grip                         | 1        |
| 36 | <b>56301</b>      | Arandela M5 DIN 125                                    | Washer, M5 DIN 125                            | 3        |
| 37 | <b>50604</b>      | Tornillo Rosca Chapa DIN 7981 2x4                      | Screw, course thread DIN 7981 2x4             | 1        |
| 38 | <b>70249</b>      | Iman con correa para hombre al agua                    | Magnetic Lanyard for Kill Button              | 1        |
| 39 | <b>53029</b>      | Junta tórica pipa dirección Ø24.8x2 NBR                | <i>Steering stem O-ring Ø24.8x2 (NBR)</i>     | 1        |

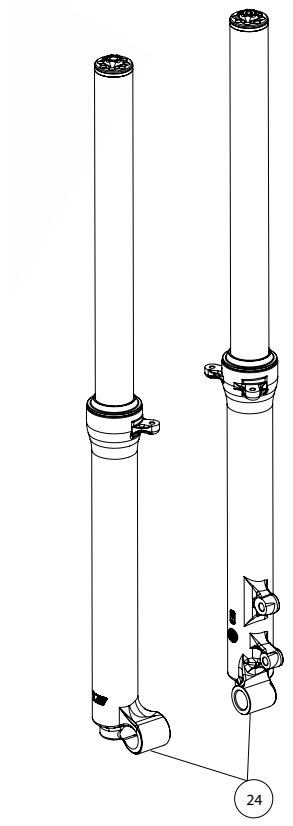
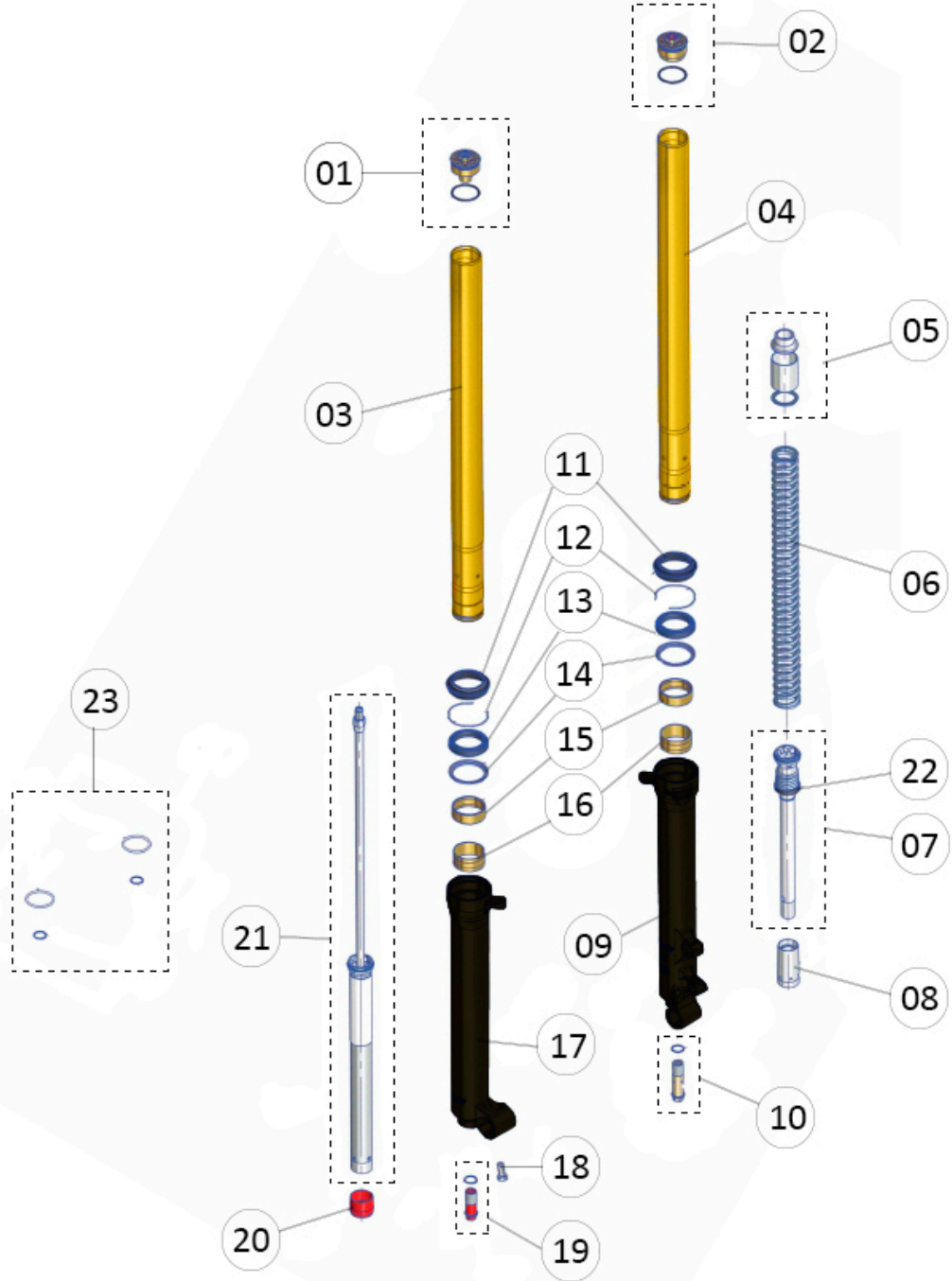


D

C

B

A





## Despiece / Parts Book TRRS GOLD 2023

## 04b - HD - Horquilla Delantera Tech - Listado de Piezas

| Nº | Código     | Descripción  | Description                            | Cantidad |
|----|------------|--|--|----------|
| 1  | 71001      | Cjto. tapon regulacion extension                                   | Screw cap rebound set                  | 1        |
| 2  | 71002      | Cjto. tapon regulacion precarga muelle                             | Screw cap preload spring set           | 1        |
| 3  | 71054      | Barra Suspension derecha (Kashima)                                 | Stanchion Tube, Right side (Kashima)   | 1        |
| 4  | 71055      | Barra suspension izquierda (Kashima)                               | Stanchion Tube, Left side (Kashima)    | 1        |
| 5  | 71005      | Cto. Distanciadores Muelle-Group Spacers Spring                    | Group, Spring spacers                  | 1        |
| 6  | 71026      | Muelle Horquilla-Fork Spring (Progr. 1)                            | Fork Spring                            | 1        |
| 7  | 71007      | Cto.Mecanico Bombeo-Group Mechanical Pumping                       | Group, dampening cartridge             | 1        |
| 8  | 71008      | Cono Limitador Izquierdo-Cone Limit Left                           | Alignment cone, Left                   | 1        |
| 9  | 71053      | Botella Suspension Izquierda-Left Leg (Negra para barras de acero) | Lower Leg, left (Black for steel bar)  | 1        |
| 10 | 71010      | Cto.Tornillo Regulacion-Needle Regulation Group                    | Needle and Regulation Group            | 1        |
| 11 | 71011      | Guardapolvo Horquilla-Dust Seal                                    | Dust Seal                              | 2        |
| 12 | 71012      | Circlip Tope Reten-Ring Stopper Oil Seal                           | Oil Seal retention clip                | 2        |
| 13 | 71013      | Reten Horquilla-Oil Seal   | Oil Seal                               | 2        |
| 14 | 71014      | Anillo Tope Glacier-Ring Stop Bushing Oil Seal                     | Bushing stop ring                      | 2        |
| 15 | 71015      | Glacier Barra Horquilla-Bush Du Ø39XØ43X15                         | Bushing Du Ø39XØ43X15                  | 2        |
| 16 | 71016      | Glacier Botella Horquilla-Bush Du Ø38XØ40X20                       | Bushing Du Ø38XØ40X20                  | 2        |
| 17 | 71052      | Botella Suspension Derecha-Right Leg (negra para barras de acero)  | Lower leg, Right (Black for steel bar) | 1        |
| 18 | 71018      | Tornillo Allen-Screw Tceib M8X18 Din 7984                          | Bolt, Allen M8X18 Din 7984             | 1        |
| 19 | 71019      | Cto. Tornillo Regulacion- Group Lock Screw Hydraulic Pump          | Group, Hydraulic dampener end cap      | 1        |
| 20 | 71020      | Cono Limitador Derecho-Cone Limit Right                            | Alignment cone,                        | 1        |
| 21 | 71029      | Cartucho Hidraulico-Group Cartridge                                | Group, Cartridge                       | 1        |
| 22 | 71022      | Anillo Tope Muelle-Support Ring For Spring Limit                   | Guide Ring, Limit spring               | 1        |
| 23 | 71023      | Kit Toricas-Group Rings Seal                                       | O-ring kit                             | 1        |
| 24 | 04034TR100 | Cjto. horquilla delantera barras Kashima                           | Front fork set, Kashima tube           | 1        |

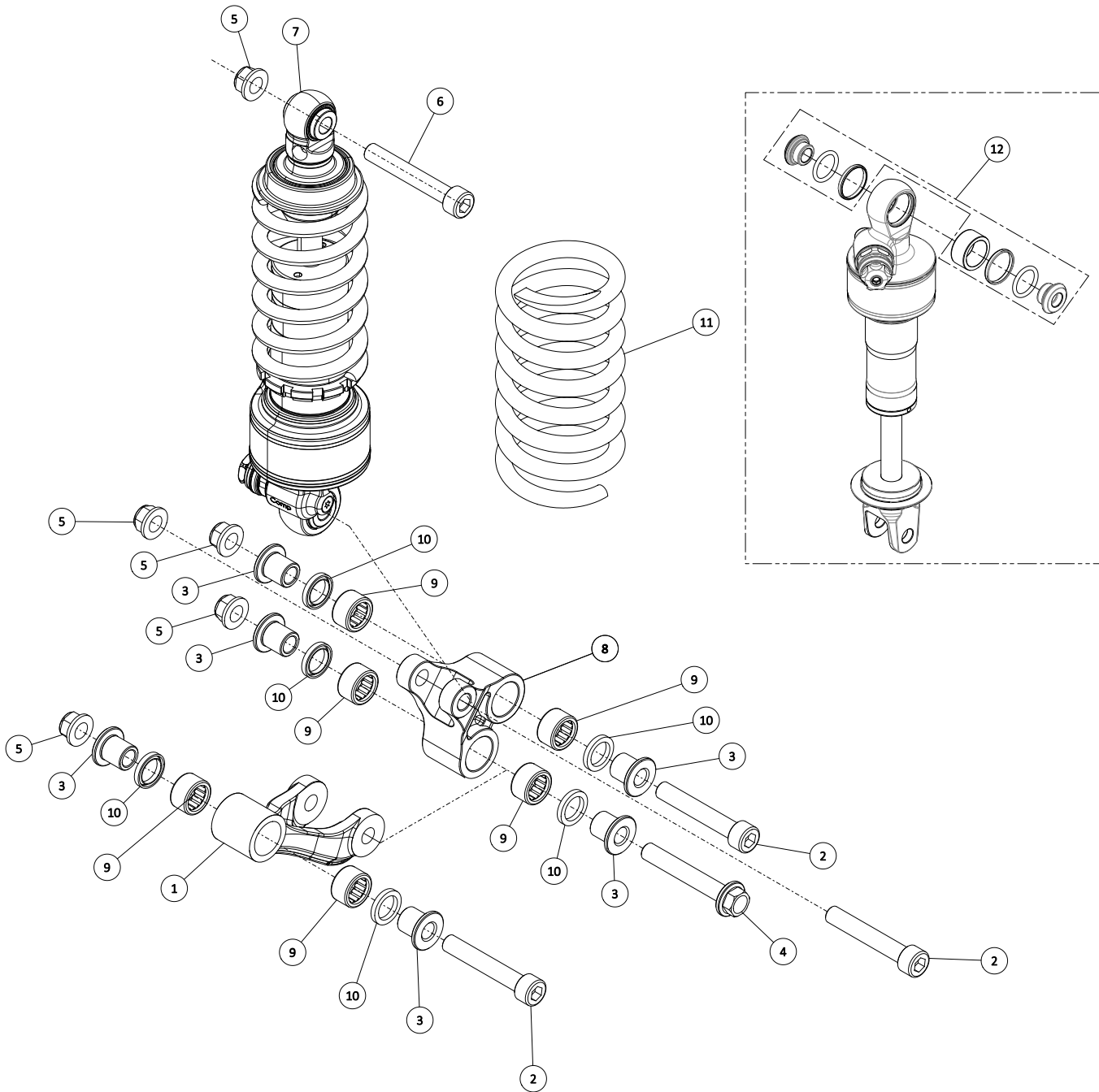


D

C

B

A

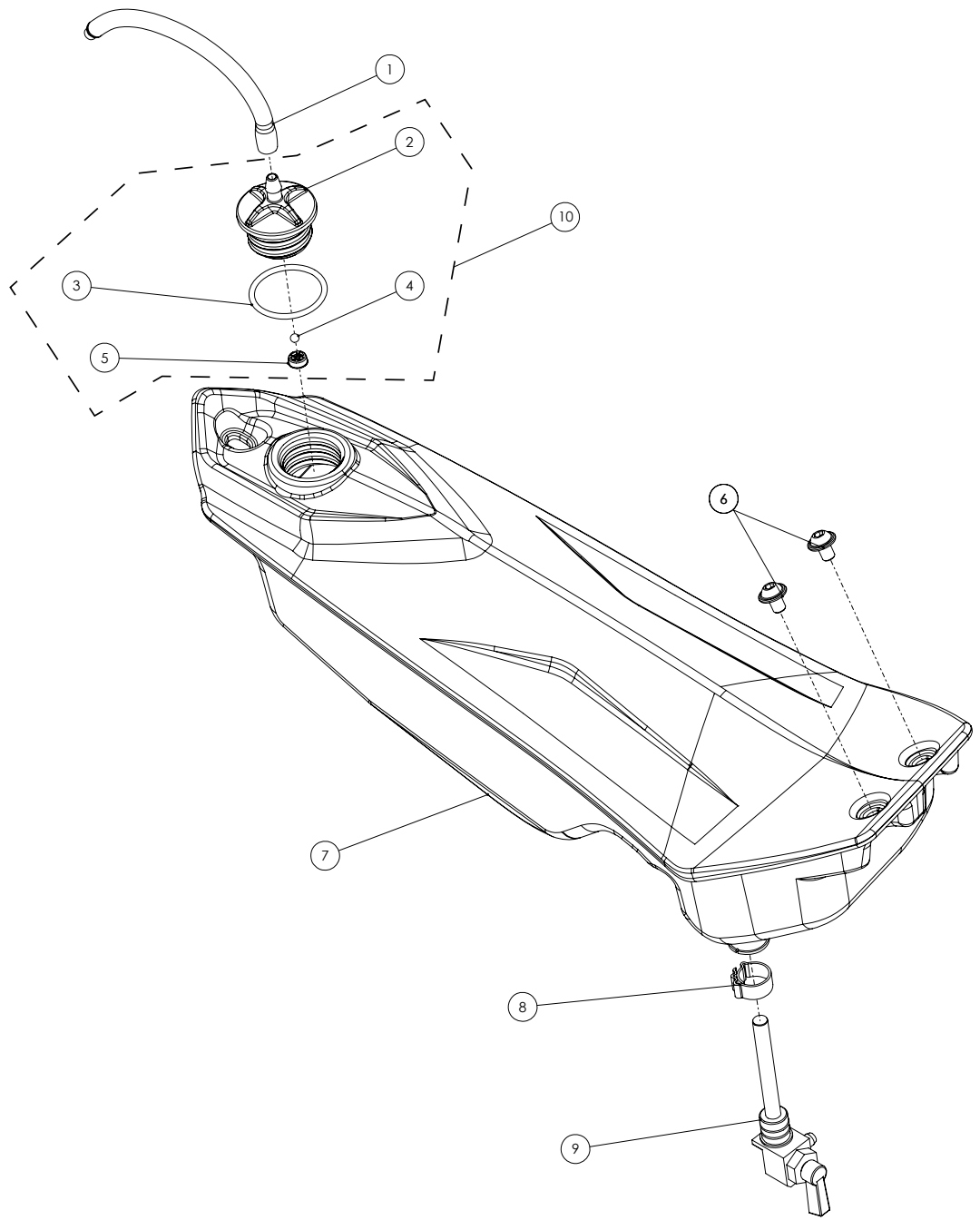


## Despiece / Parts Book TRRS GOLD 2023

## 05 - AT - Amortiguación Trasera - Listado de Piezas

| Nº  | Código            | Descripción   | Description  | Cantidad |
|-----|-------------------|---|--|----------|
| 1   | <b>05004TR101</b> | Bieleta   | Connecting link  | 1        |
| 2   | <b>50108</b>      | Tornillo DIN 912 M10x60 - 1,25 (10.9)   | Bolt, DIN 912 M10x60 - 1.25 (10.9)   | 3        |
| 3   | <b>05002TR100</b> | Casquillo Trapecio  | Bushing, linkage   | 6        |
| 4   | <b>50906</b>      | Tornillo DIN 6921 M10x65 - 1.25   | Bolt, DIN 6921 M10x65 - 1.25   | 1        |
| 5   | <b>51503</b>      | Tuerca autoblocante M10x1.25  | Locknut, M10x1.25  | 5        |
| 6   | <b>50109</b>      | Tornillo M10x65x1,25 (10.9)   | Bolt M10x65x1,25 (10.9)  | 1        |
| 7   | <b>05008TR100</b> | Amortiguador Reiger Raga Replica Hydrostop                                      | Damper Reiger Raga Replica Hydrostop                                       | 1        |
| 8   | <b>05012TR100</b> | Trapecio para amortiguador Reiger Hydrostop                                     | Rocker link for damper Reiger Hydrostop                                    | 1        |
| 9   | <b>52502</b>      | Rodamiento agujas HN 1512 BGR   | Needle bearing, HN1512 BGR   | 6        |
| 10  | <b>54002</b>      | Retén 15x21x3   | Seal, 15x21x3  | 6        |
| 11A | <b>70517</b>      | Muelle amortiguador Reiger Raga Replica Hydrostop 66 N/mm (65-70 Kg) (estándar) | Spring, shock absorber Raga Replica Hydrostop 66N/mm (65-70 Kg) (standard) | 1        |
| 11B | <b>70521</b>      | Muelle amortiguador Reiger 3 vias 75N/mm (90-95 Kg) (sólo recambios)            | Spring shock absorber 3 ways 75N/mm (90-95Kg) (only spareparts)            | 1        |
| 11C | <b>70522</b>      | Muelle amortiguador Reiger 3 vias 64N/mm (60-65Kg) (sólo recambios)             | Spring shock absorber 3 ways 64N/mm (60-65Kg) (only spareparts)            | 1        |
| 11D | <b>70523</b>      | Muelle amortiguador Reiger 3 vias 68N/mm (75-80Kg) (sólo recambios)             | Spring shock absorber 3 ways 68N/mm (75-80Kg) (only spareparts)            | 1        |
| 11E | <b>70524</b>      | Muelle amortiguador Reiger 3 vias 70N/mm (80-85Kg) (sólo recambios)             | Spring shock absorber 3 ways 70 N/mm (80-85Kg) (only spareparts)           | 1        |
| 11F | <b>70525</b>      | Muelle amortiguador Reiger 3 vias 72N/mm (85-90Kg) (sólo recambios)             | Spring shock absorber 3 ways 72 N/mm (85-90Kg) (only spareparts)           | 1        |
| 11G | <b>70526</b>      | Muelle amortiguador Reiger 3 vias 80N/mm (95-100Kg) (sólo recambios)            | Spring shock absorber 3 ways 80 N/mm (95-100Kg) (only spareparts)          | 1        |
| 11H | <b>70527</b>      | Muelle amortiguador Reiger 3 vias 85N/mm (>100Kg) (sólo recambios)              | Spring shock absorber 3 ways 85 N/mm (>100Kg) (only spareparts)            | 1        |
| 12  | <b>70520</b>      | Kit reparación rotula y cojinete agujas amortiguador Reiger Hydrostop           | Repair kit ball joint and needle bearing damper Reiger Hydrostop           | 1        |







## Despiece / Parts Book TRRS GOLD 2023

## 06 - CD - Conjunto Depósito - Listado de Piezas

| Nº | Código     | Descripción                           | Description                       | Cantidad |
|----|------------|---------------------------------------|-----------------------------------|----------|
| 1  | 62001      | Tubo Desvaporizador Tapón Gasolina    | Fuel cap vent hose                | 0,2m     |
| 2  | 06001TR100 | Tapón Depósito                        | Fuel cap                          | 1        |
| 3  | 53021      | Tórica Tapón Depósito 30X3            | O-ring, fuel cap 30X3             | 1        |
| 4  | 60001      | Bola Válvula Tapón                    | Check-ball, cap vent              | 1        |
| 5  | 06002TR100 | Cierre Válvula Tapón Depósito         | Cap, check-ball fuel tank valve   | 1        |
| 6  | 50203      | Tornillo DIN 7380-FL M6x10 - Depósito | Bolt, DIN 7380-FL Fuel tank M6x10 | 2        |
| 7  | 06003TR101 | Depósito Gasolina                     | Fuel Tank                         | 1        |
| 8  | 58007      | Abrazadera Cobra 17                   | Clamp, Cobra 17                   | 1        |
| 9  | 70110      | Grifo Gasolina                        | Fuel valve (petcock)              | 1        |
| 10 | 06005TR100 | Tapón depósito gasolina completo      | Fuel tank cap set                 | 1        |

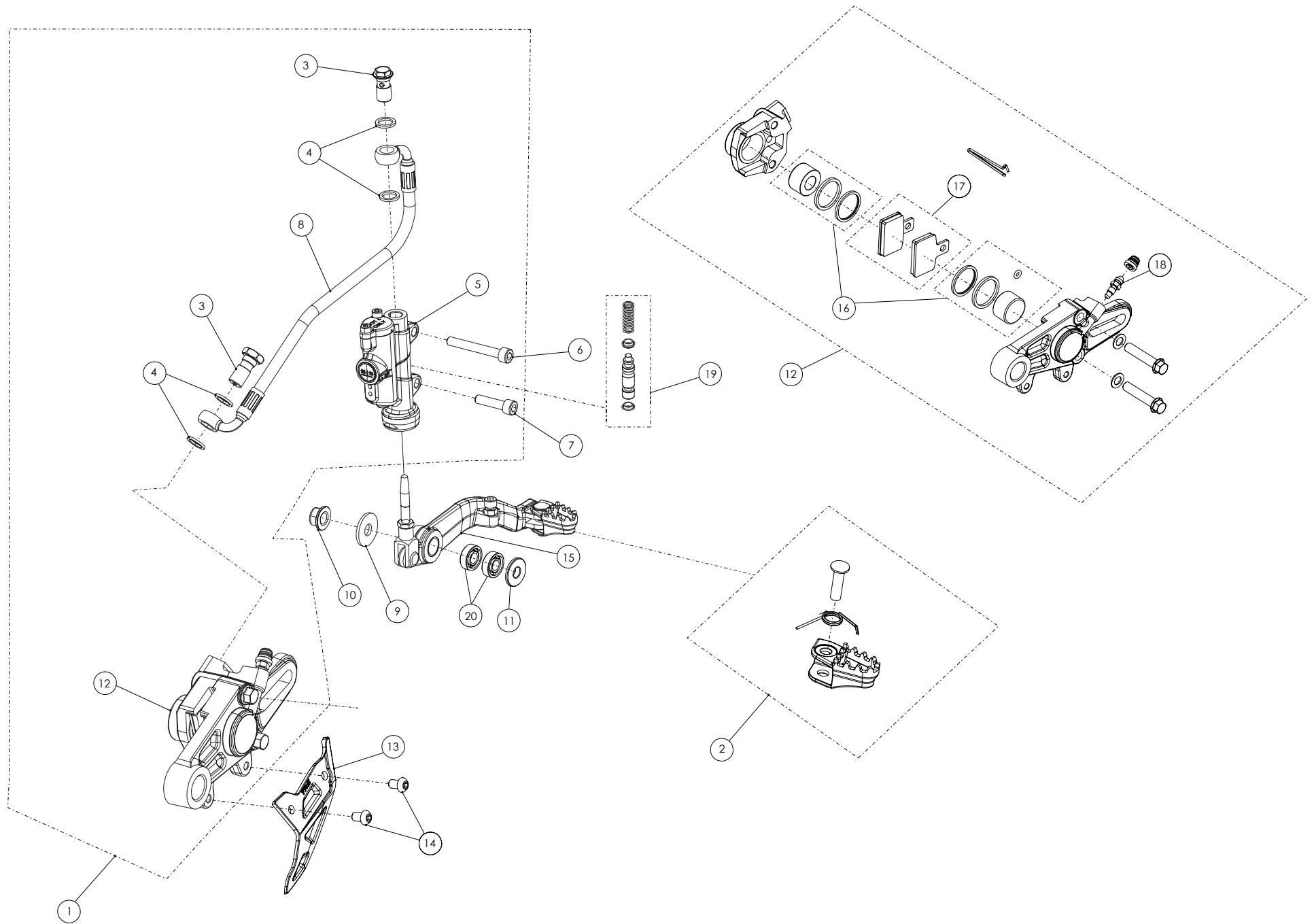


D

C

B

A



## Despiece / Parts Book TRRS GOLD 2023

## 07 - FT - Freno Trasero - Listado de Piezas

| Nº | Código            | Descripción  | Description   | Cantidad |
|----|-------------------|--|---|----------|
| 1  | <b>70320</b>      | Conjunto freno trasero   | <i>Kit, rear brake</i>  | 1        |
| 2  | <b>70312</b>      | Kit reparación palanca freno                                   | <i>Brake lever repair kit</i>   | 1        |
| 3  | <b>70304</b>      | Racord   | <i>Banjo bolt</i>   | 2        |
| 4  | <b>56101</b>      | Arandela Al. 10x14x1,5   | <i>Washer, Al. 10x14x1.5</i>  | 4        |
| 5  | <b>70318</b>      | Bomba Freno Trasero  | <i>Pump, rear brake</i>   | 1        |
| 6  | <b>50103</b>      | Tornillo DIN 912 M6x45 - Bomba Freno - Escape                  | <i>Bolt, DIN 912 M6x45 - Brake pump - exhaust</i>                     | 1        |
| 7  | <b>50110</b>      | Tornillo DIN 912 M6x25 - Bomba Freno Inferior                  | <i>Bolt, DIN 912 M6x25 - Brake pump - lower</i>                       | 1        |
| 8  | <b>70306</b>      | Latiguillo Freno Trasero                                       | <i>Hose, rear brake</i>   | 1        |
| 9  | <b>56304</b>      | Arandela Pedal Freno DIN 9021 Ø8                               | <i>Washer, brake pedal DIN 9021 Ø8</i>                                | 1        |
| 10 | <b>51502</b>      | Tuerca Autoblocante M8 - Pedal Freno                           | <i>Nut, self locking M8 - Brake pedal</i>                             | 1        |
| 11 | <b>07014TR100</b> | Casquillo palanca freno II                                     | <i>Bushing brake pedal II</i>   | 1        |
| 12 | <b>70307</b>      | Conjunto Pinza Freno Trasero                                   | <i>Rear brake caliper, complete</i>                                   | 1        |
| 13 | <b>07002TR101</b> | Protector disco trasero  | <i>Disc protector, rear</i>   | 1        |
| 14 | <b>50204</b>      | Tornillo DIN 7380 M6X10 - Protector Disco Trasero              | <i>Bolt, DIN 7380 M6x10 - Rear disc protector</i>                     | 2        |
| 15 | <b>07015TR100</b> | Conjunto palanca freno II                                      | <i>Brake pedal II, complete</i>                                       | 1        |
| 16 | <b>70309</b>      | Kit Reparación Pinza Trasera                                   | <i>Repair kit, rear caliper</i>                                       | 1        |
| 17 | <b>70310</b>      | Juego Pastillas Freno Trasero                                  | <i>Brake pad set, rear</i>  | 1        |
| 18 | <b>70374</b>      | Sangrador freno trasero  | <i>Bleeder screw rear brake</i>                                       | 1        |
| 19 | <b>70321</b>      | Kit rep. pistón bomba freno trasero (bomba deposito integrado) | <i>Repair kit, rear brake pump (master cylinder /integrated tank)</i> | 1        |
| 20 | <b>52112</b>      | Rodamiento palanca freno trasero                               | <i>Foot brake lever bearing</i>                                       | 2        |

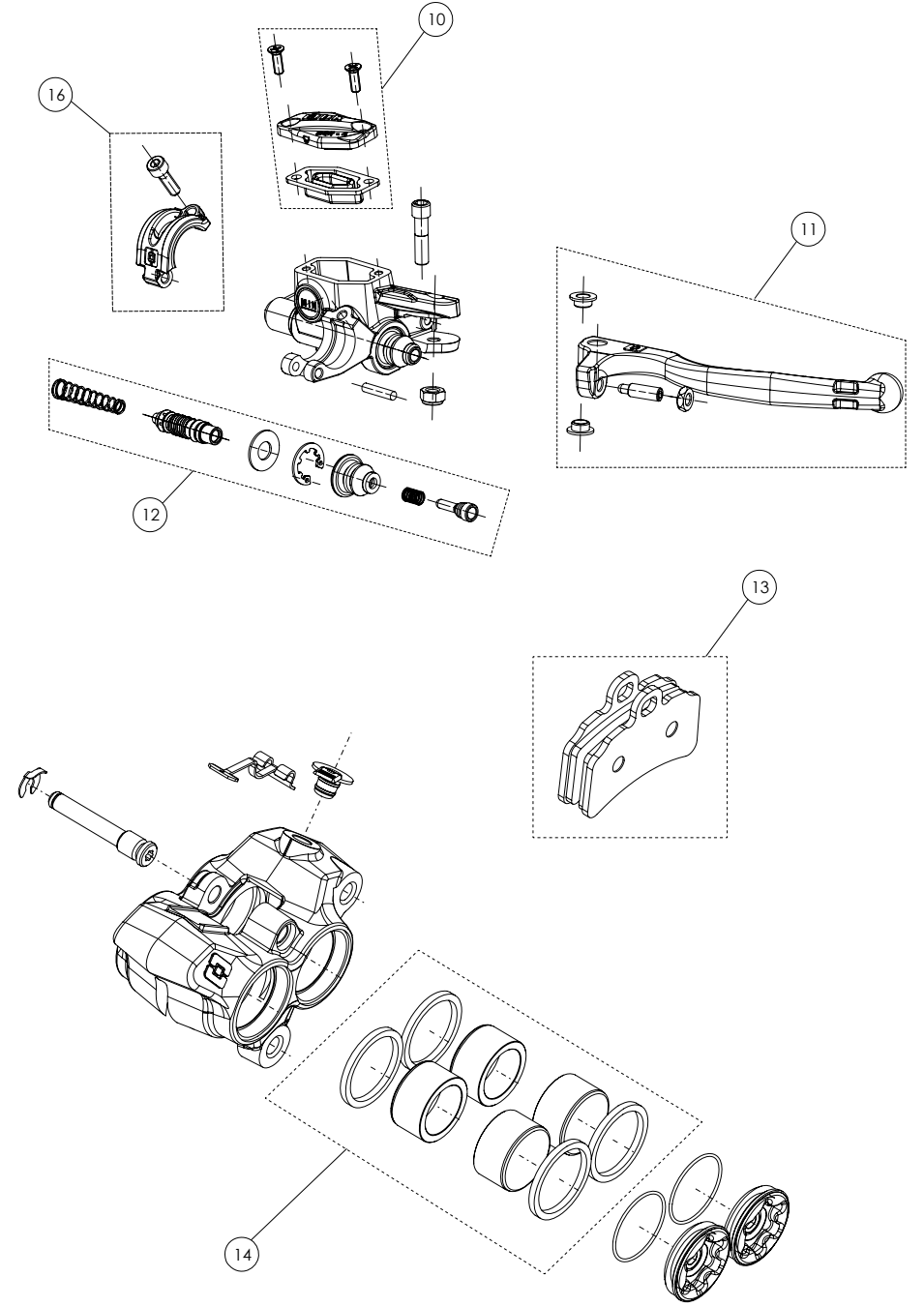
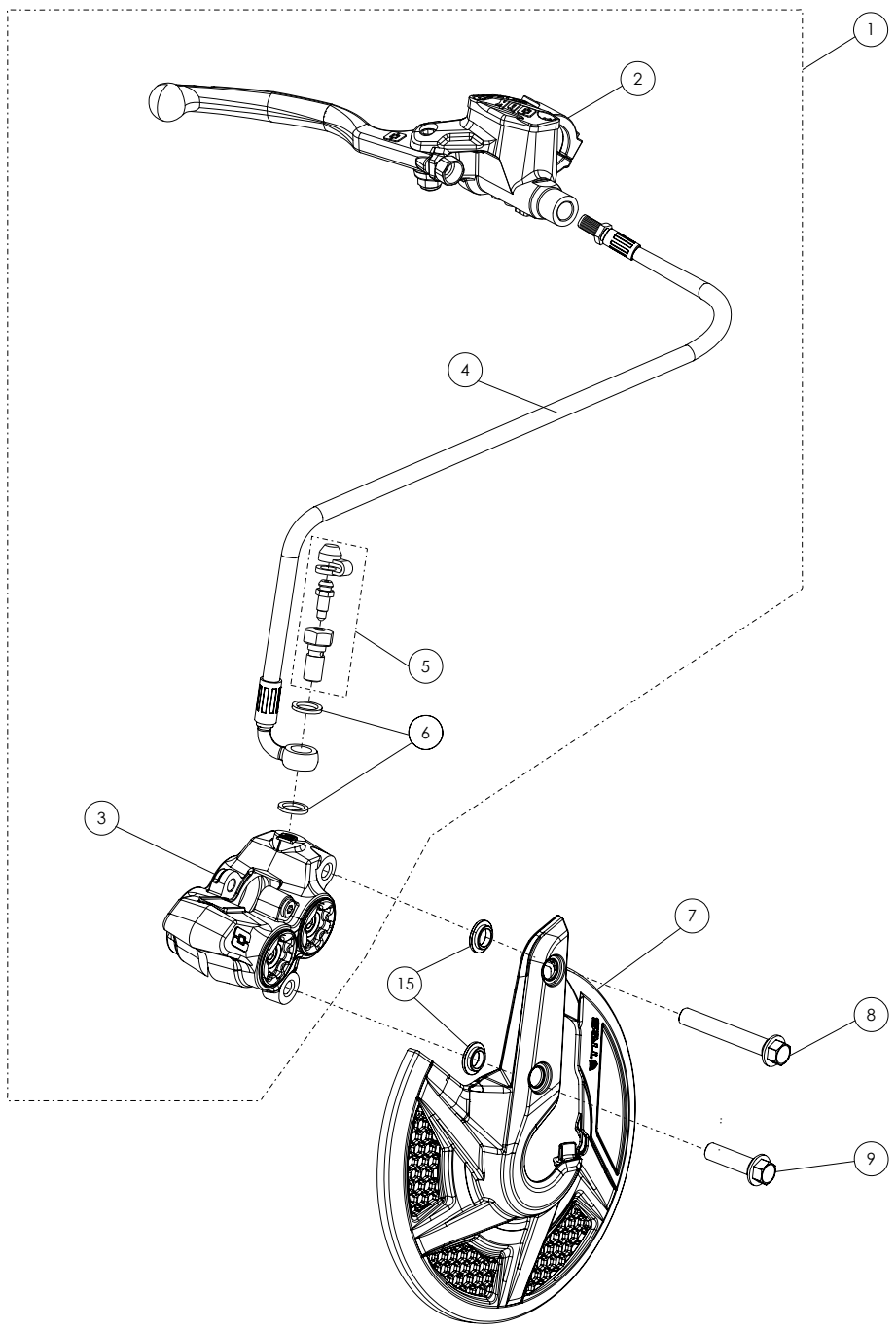


D

C

B

A



## Despiece / Parts Book TRRS GOLD 2023

## 08 - FD - Freno Delantero - Listado de Piezas

| Nº | Código            | Descripción  | Description  | Cantidad |
|----|-------------------|--|--|----------|
| 1  | <b>70373</b>      | Conjunto freno delantero GOLD                              | <i>Hand brake cylinder kit GOLD</i>                    | 1        |
| 2  | <b>70375</b>      | Cjto. Bomba freno delantero GOLD                           | <i>Pump Racing, front brake (master cylinder) GOLD</i> | 1        |
| 3  | <b>70379</b>      | Pinza freno delantero GOLD                                 | <i>Caliper front brake GOLD</i>                        | 1        |
| 4  | <b>70353</b>      | Latiguillo freno delantero                                 | <i>Hose, front brake</i>                               | 1        |
| 5  | <b>70388</b>      | Racor pinza freno delantero + sangrador II                 | <i>Banjo bolt + bleeder II</i>                         | 1        |
| 6  | <b>56101</b>      | Arandela Al. 10x14x1,5                                     | <i>Washer, Al. 10x14x1.5</i>                           | 2        |
| 7  | <b>08001TR102</b> | Protector disco delantero rejado                           | <i>Front brake disc grided cover</i>                   | 1        |
| 8  | <b>50901</b>      | Tornillo hexagonal con arandela M8x40                      | <i>Bolt M8x40</i>                                      | 1        |
| 9  | <b>50907</b>      | Tornillo hexagonal con arandela M8x30                      | <i>Bolt M8x30</i>                                      | 1        |
| 10 | <b>70377</b>      | Kit tapa bomba freno delantera mecanizada (anodizado rojo) | <i>Hand brake cyl. cover CNC (red anodized)</i>        | 1        |
| 11 | <b>70378</b>      | Kit leva freno delantero (ajustable)                       | <i>Hand brake lever (adjustable)</i>                   | 1        |
| 12 | <b>70376</b>      | Kit reparacion bomba freno delantero                       | <i>Repair kit piston, front brake pump</i>             | 1        |
| 13 | <b>70385</b>      | Pastillas freno delantero (Rojas)                          | <i>Brake pads front (Red)</i>                          | 1        |
| 14 | <b>70380</b>      | Kit reparacion bomba freno delantero                       | <i>Repair kit seals</i>                                | 1        |
| 15 | <b>08002TR100</b> | Casquillo protector disco delantero                        | <i>Bushing, front disc protector</i>                   | 2        |
| 16 | <b>70918</b>      | Brida bomba anodizado rojo                                 | <i>Clamp, master cylinder red anodized</i>             | 1        |

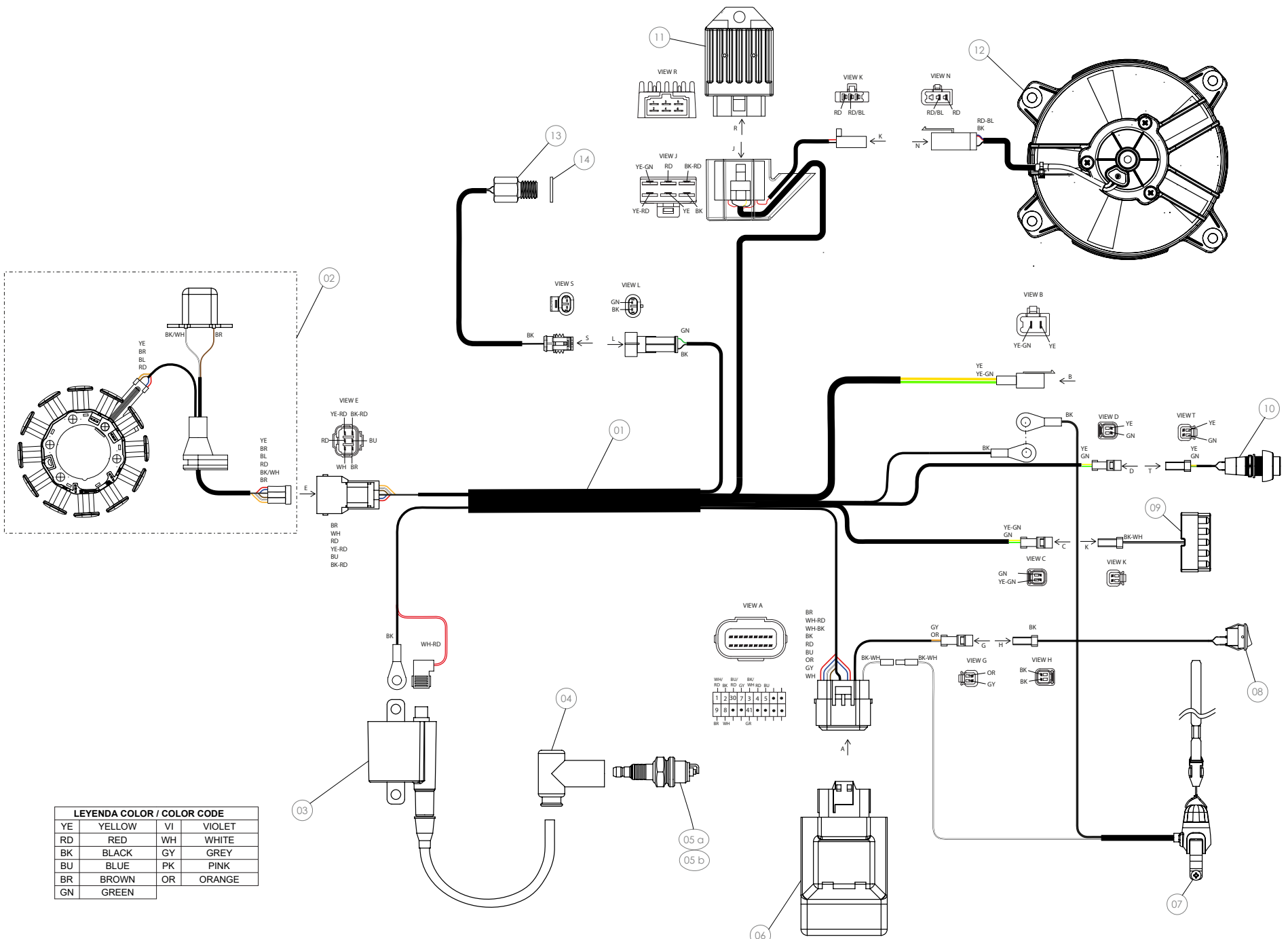


D

C

B

A



**LEYENDA COLOR / COLOR CODE**

|    |        |    |        |
|----|--------|----|--------|
| YE | YELLOW | VI | VIOLET |
| RD | RED    | WH | WHITE  |
| BK | BLACK  | GY | GREY   |
| BU | BLUE   | PK | PINK   |
| BR | BROWN  | OR | ORANGE |
| GN | GREEN  |    |        |





## Despiece / Parts Book TRRS GOLD 2023

## 09 - IE - Instalación Eléctrica - Listado de Piezas

| Nº | Código            | Descripción   | Description   | Cantidad |
|----|-------------------|---|---|----------|
| 1  | <b>09012TR100</b> | Instalacion electrica principal T/Sensor                          | Main wiring harness T/Sensor                                    | 1        |
| 2  | <b>70225</b>      | Stator + Pick up - (véase en lámina 08 / Motor)                   | Stator and pickup (see sheet 08 / Engine)                       | 1        |
| 3  | <b>70240</b>      | Bobina de alta - (véase en lámina 01 / Chasis)                    | Ignition coil (see sheet 01 / Frame)                            | 1        |
| 4  | <b>70260</b>      | Pipa bujia corta  | Short spark plug cap  | 1        |
| 5a | <b>70205</b>      | Bujía NGK BPMR6A (250-280cc)                                      | Spark plug NGK BPMR6A (250-280cc)                               | 1        |
| 5b | <b>70232</b>      | Bujia NGK BPR5EIX Iridium IX (300cc)                              | Spark plug NGK BPR5ES (300cc)                                   | 1        |
| 6  | <b>70253</b>      | Caja CDI - (véase en lámina 01 / Chasis)                          | CDI box (see sheet 01/ Frame)                                   | 1        |
| 7  | <b>70229</b>      | Botón paro racing, Hombre al agua - (véase en lámina 04 / Chasis) | Kill button engine with magnetic lanyard (see sheet 04 / Frame) | 1        |
| 8  | <b>70208</b>      | Interruptor curva CDI - (véase en lámina 04 / Chasis)             | Igniton map switch (see sheet 04 / Frame)                       | 1        |
| 9  | <b>70209</b>      | Led delantero - (véase en lámina 04 / Chasis)                     | Front led lamp (see sheet 04 / Frame)                           | 1        |
| 10 | <b>70210</b>      | Pulsador led - (véase en lámina 04 / Chasis)                      | Switch, led lamps (see sheet 04 / Frame)                        | 1        |
| 11 | <b>70239</b>      | Regulador ventilador (véase en lámina 13 / Chasis)                | Regulator fan (see sheet 13 / Frame)                            | 1        |
| 12 | <b>70234</b>      | Ventilador - (véase en lámina 13 / Chasis)                        | Fan (see sheet 13 / Frame)                                      | 1        |
| 13 | <b>70254</b>      | Sensor Temperatura - (véase en lámina 13 / Chasis)                | Temperature sensor (see sheet 13 / Frame)                       | 1        |
| 14 | <b>56102</b>      | Arandela cobre 8x12x1,5   | Copper washer, 8x12x1.5   | 1        |





Despiece / Parts Book TRRS GOLD 2023

| Nº | Código            | Descripción   | Description  | Cantidad |
|----|-------------------|---|--|----------|
| 1  | <b>09017TR100</b> | Instalacion electrica principal T/Sensor 125cc                    | <i>Main wiring harness T/Sensor 125cc</i>                              | 1        |
| 2  | <b>70225</b>      | Stator + Pick up - (véase en lámina 08 / Motor)                   | <i>Stator and pickup (see sheet 08 / Engine)</i>                       | 1        |
| 3  | <b>70240</b>      | Bobina de alta - (véase en lámina 01 / Chasis)                    | <i>Ignition coil (see sheet 01 / Frame)</i>                            | 1        |
| 4  | <b>70260</b>      | Pipa bujia corta  | <i>Short spark plug cap</i>  | 1        |
| 5  | <b>70256</b>      | Bujia NGK BR7ES (125cc)   | <i>Spark plug NGK BR7ES (125cc)</i>                                    | 1        |
| 6  | <b>70253</b>      | Caja CDI - (véase en lámina 01 / Chasis)                          | <i>CDI box (see sheet 01/ Frame)</i>                                   | 1        |
| 7  | <b>70229</b>      | Botón paro racing, Hombre al agua - (véase en lámina 04 / Chasis) | <i>Kill button engine with magnetic lanyard (see sheet 04 / Frame)</i> | 1        |
| 8  | <b>70208</b>      | Interruptor curva CDI - (véase en lámina 04 / Chasis)             | <i>Igniton map switch (see sheet 04 / Frame)</i>                       | 1        |
| 9  | <b>70209</b>      | Led delantero - (véase en lámina 04 / Chasis)                     | <i>Front led lamp (see sheet 04 / Frame)</i>                           | 1        |
| 10 | <b>70210</b>      | Pulsador led - (véase en lámina 04 / Chasis)                      | <i>Switch, led lamps (see sheet 04 / Frame)</i>                        | 1        |
| 11 | <b>70211</b>      | Regulador A/C 12V   | <i>Voltage regulator, 12V A/C</i>                                      | 1        |
| 12 | <b>70234</b>      | Ventilador - (véase en lámina 13 / Chasis)                        | <i>Fan (see sheet 13 / Frame)</i>                                      | 1        |
| 13 | <b>70236</b>      | Rectificador ventilador AC (conector 3 vias)                      | <i>Rectifier, cooling fan motor AC (3 pins connector)</i>              | 1        |
| 14 | <b>70254</b>      | Sensor Temperatura - (véase en lámina 13 / Chasis)                | <i>Temperature sensor (see sheet 13 / Frame)</i>                       | 1        |
| 15 | <b>56102</b>      | Arandela cobre 8x12x1,5   | <i>Copper washer, 8x12x1.5</i>   | 1        |

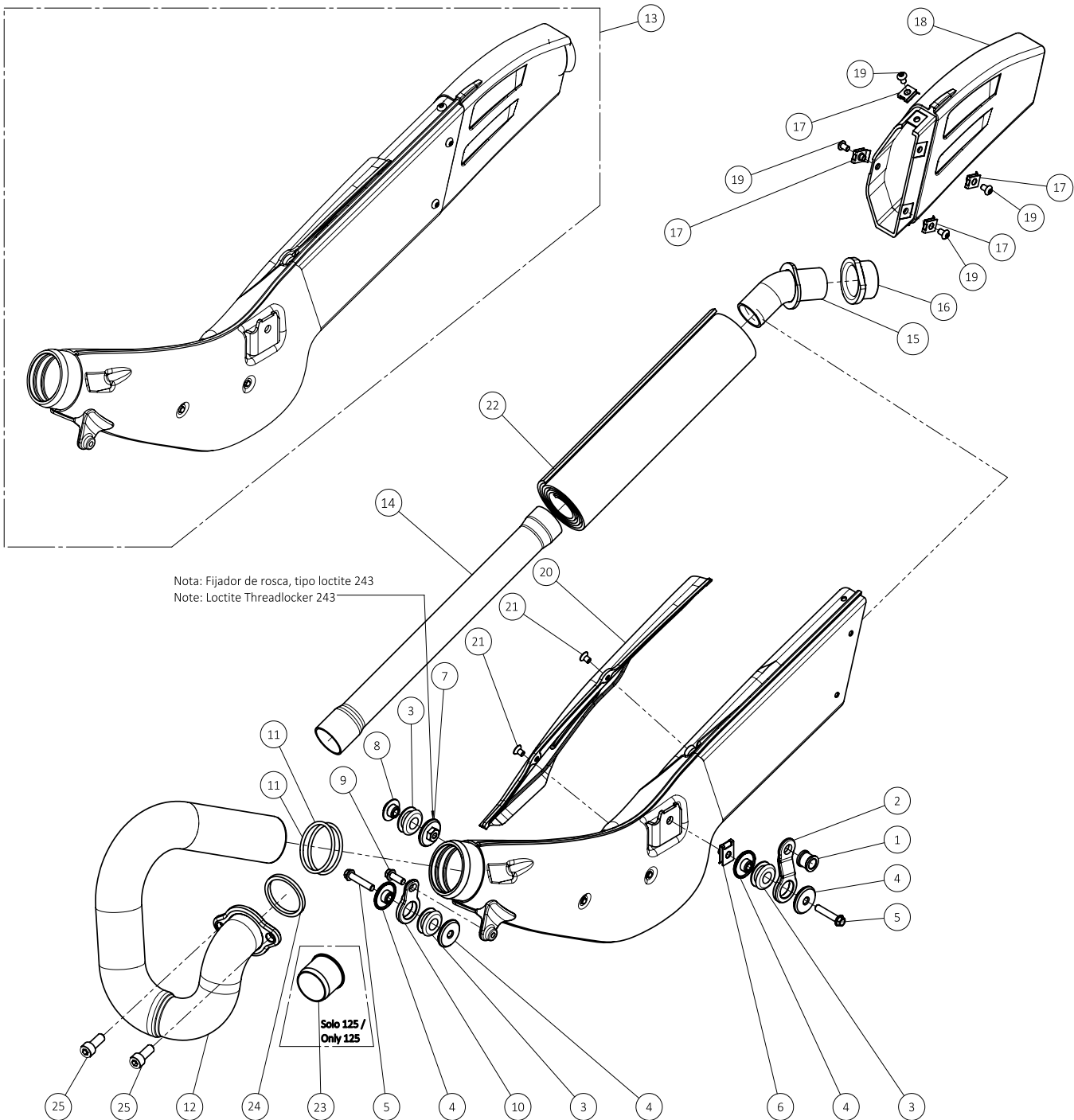


D

C

B

A



Nota: Fijador de rosca, tipo loctite 243  
 Note: Loctite Threadlocker 243

Solo 125 /  
 Only 125



Despiece GOLD 2023  
 10 - CE - Conjunto Escape - Explosionado  
 TRRS Motorcycles



## Despiece / Parts Book TRRS GOLD 2023

## 10 - CE - Conjunto Escape - Listado de Piezas

| Nº | Código     | Descripción                         | Description                      | Cantidad |
|----|------------|-------------------------------------|----------------------------------|----------|
| 1  | 10007TR100 | Casquillo Soporte Escape Superior   | Bushing, exhaust support, upper  | 1        |
| 2  | 10016TR100 | Soporte superior escape             | Upper exhaust support            | 1        |
| 3  | 10019TR100 | Goma soporte                        | Damper rubber                    | 3        |
| 4  | 10022TR100 | Casquillo soporte escape            | Buhsing exhaust support          | 4        |
| 5  | 50914      | Tornillo hexagonal con valona M6x30 | Bolt hexagonal flange M6x30      | 2        |
| 6  | 51301      | Tuerca rápida universal M6          | Universal clip-nut, M6           | 1        |
| 7  | 10020TR100 | Tuerca soporte inferior escape      | Nut lower exhaust support        | 1        |
| 8  | 10021TR100 | Casquillo soporte inferior escape   | Bushing lower exhasut support    | 1        |
| 9  | 50903      | Tornillo hexagonal con valona M6x16 | Bolt hexagonal with washer M6x16 | 1        |
| 10 | 10015TR100 | Soporte delantero escape            | Front exhaust support            | 1        |
| 11 | 53004      | Torica 44x3                         | O-ring, 44x3                     | 2        |
| 12 | 10029TR100 | Curva escape titanio Ø45            | Exhaust pipe, titanium Ø45       | 1        |
| 13 | 10018TR100 | Conjunto escape                     | Exhaust set                      | 1        |
| 14 | 70602      | Tubo Interno Silencioso             | Silencer internal tube           | 1        |
| 15 | 70601      | Tubo Salida Silencioso              | Silencer exit tube               | 1        |
| 16 | 10003TR100 | Goma cierre silencioso              | Rubber grommet, silencer end-cap | 1        |
| 17 | 51302      | Tuerca Rápida Universal M5          | Speed nut, universal M5          | 4        |
| 18 | 10002TR100 | Salida escape                       | End-cap, exhaust                 | 1        |
| 19 | 50210      | Tornillo alomado allen M5x12        | Bolt allen M5x12                 | 4        |
| 20 | 10004TR100 | Protector escape                    | Protector exhaust                | 1        |
| 21 | 50303      | Tornillo DIN 7991 M5x8              | Bolt, DIN 7991 M5x8              | 2        |
| 22 | 70603      | Fibra Silencioso                    | Silencer fiber packing           | 1        |
| 23 | 10013TR100 | Casquillo colector escape 125       | Exhaust colector 125             | 1        |
| 24 | 10006TR100 | Junta Metálica Curva Escape         | Metal gasket, exhaust pipe       | 1        |
| 25 | 50807      | Tornillo DIN 912 M8x20              | Bolt, DIN 912 M8x20              | 2        |

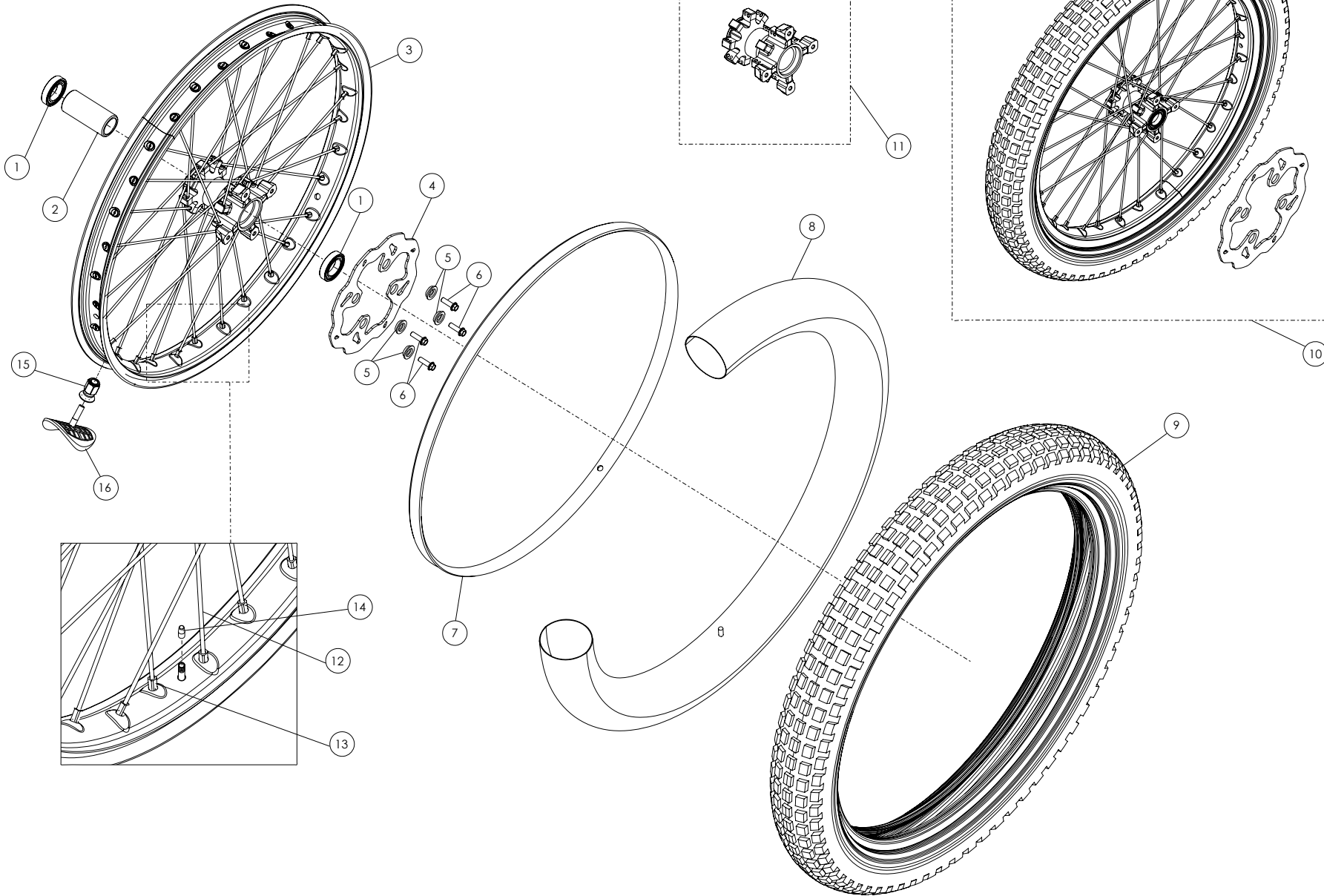


D

C

B

A



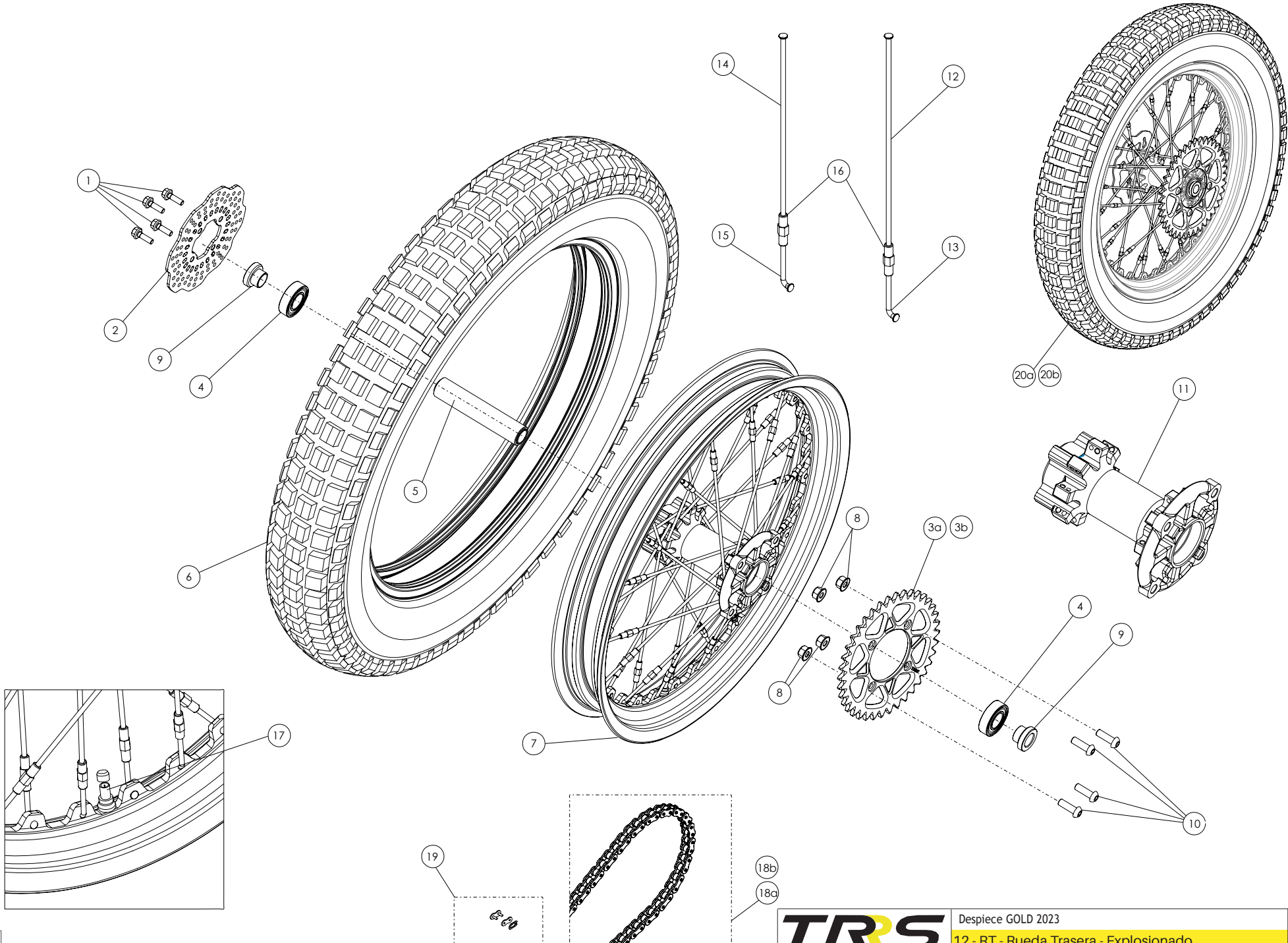


## Despiece / Parts Book TRRS GOLD 2023

## 11 - RD - Rueda Delantera - Listado de piezas

| Nº | Código            | Descripción   | Description   | Cantidad |
|----|-------------------|---|---|----------|
| 1  | <b>52101</b>      | Rodamiento 6004   | <i>Bearing, 6004</i>  | 2        |
| 2  | <b>70701</b>      | Casquillo interior buje   | <i>Bushing, interior hub</i>  | 1        |
| 3  | <b>70749</b>      | Cjto. Llanta delantera anodizada negra, buje mecanizado anodizado rojo  | <i>Front rim set (Black anodized rim, CNC hub red anodized)</i>   | 1        |
| 4  | <b>70363</b>      | Disco freno delantero   | <i>Front brake disc</i>   | 1        |
| 5  | <b>70364</b>      | Casquillo disco freno   | <i>Bushing, brake disc</i>  | 4        |
| 6  | <b>50402</b>      | Tornillo M6   | <i>Bolt M6</i>  | 4        |
| 7  | <b>70703</b>      | Protector camara aire delantera   | <i>Front innertube protector</i>  | 1        |
| 8  | <b>70704</b>      | Camara delantera 2.75-21 + válvula  | <i>Front inner-tube 2.75-21 + valve</i>   | 1        |
| 9  | <b>70705</b>      | Neumatico Michelin 2.75-21  | <i>Tyre, Michelin 2.75x21</i>   | 1        |
| 10 | <b>7070D</b>      | Cjto. Rueda delantera (Llanta anodizada negra, buje mecanizado rojo, adhesivos llanta Gold 2023, disco freno y neumatico) | <i>Front wheel set (Black anodized rim, CNC hub red anodized, stickers GOLD 2023, brake disc, tyre)</i> | 1        |
| 11 | <b>70743</b>      | Buje delantero (Gold) Anodizado rojo  | <i>Front wheel hub (Gold) red anodized</i>  | 1        |
| 12 | <b>70708</b>      | Radios rueda delantera  | <i>Spoke, front wheel</i>   | 32       |
| 13 | <b>70718</b>      | Tuerca radio delantero (Gold)   | <i>Spoke nipple front (Gold)</i>  | 32       |
| 14 | <b>70710</b>      | Tapón válvula cámara  | <i>Valve cap</i>  | 1        |
| 15 | <b>11000TR100</b> | Tuerca M8 anodizado rojo  | <i>Nut M8 red anodized</i>  | 1        |
| 16 | <b>70711</b>      | Agarre cubierta delantera   | <i>Front rim lock</i>   | 1        |





Despiece GOLD 2023  
 12 - RT - Rueda Trasera - Explosionado  
 TRRS Motorcycles



## Despiece / Parts Book TRRS GOLD 2023

## 12 - RT - Rueda Trasera - Listado de piezas

| Nº  | Código            | Descripción   | Description  | Cantidad |
|-----|-------------------|---|--|----------|
| 1   | <b>50402</b>      | Tornillo DIN6921 M6x20 - Disco Freno Trasero  | <i>Bolt, DIN 6921 M6x20 - Rear brake disc rotor</i>  | 4        |
| 2   | <b>70317</b>      | Disco freno trasero Racing  | <i>Brake disc rear Racing</i>  | 1        |
| 3a  | <b>12008TR100</b> | Corona 45z Racing ligera anodizado negro (125cc)  | <i>Rear sprocket 45z Racing lightweight black anodized (125cc)</i>   | 1        |
| 3b  | <b>12007TR100</b> | Corona 40z Racing ligera anodizado negro (250-280-300cc)  | <i>Rear sprocket 40z Racing lightweight black anodized (250-28-300cc)</i>                                    | 1        |
| 4   | <b>52101</b>      | Rodamiento 6004   | <i>Bearing, 6004</i>   | 2        |
| 5   | <b>70751</b>      | Casquillo Interior Buje   | <i>Bushing, interior hub</i>   | 1        |
| 6   | <b>70752</b>      | Neumático Trasero - Michelin x11 4,00 R18   | <i>Rear tyre - Michelin X11 4.00 R18</i>   | 1        |
| 7   | <b>7075L</b>      | Cjto. Llanta trasera anodizada negra aligerada, buje mecanizado rojo.   | <i>Rear rim set (Black anodized rim, CNC hub red anodized)</i>   | 1        |
| 8   | <b>51402</b>      | Tuerca DIN 6927 Autoblocante M8 - Corona  | <i>Nut, DIN 6927 self locking M8 - Sprocket</i>  | 4        |
| 9   | <b>12002TR100</b> | Casquillo Distanciador Rueda  | <i>Spacer bushing, wheel</i>   | 2        |
| 10  | <b>50207</b>      | Tornillo DIN 7380 M8x25 - Corona  | <i>Bolt, DIN 7380 M8x25 - Sprocket</i>   | 4        |
| 11  | <b>7075B</b>      | Buje trasero mecanizado anodizado rojo (Logo Gold edition)  | <i>Rear wheel hub CNC red anodized (Logo Gold edition)</i>   | 1        |
| 12  | <b>70755</b>      | Radio M4x0,7 LG. 175/18º  | <i>Spoke, M4x0.7 long 175/18 - Right side</i>  | 16       |
| 13  | <b>70756</b>      | Radio M4x0,7 LG. 36/95º   | <i>Spoke, M4x0.7 short 36/95 - Right side</i>  | 16       |
| 14  | <b>70757</b>      | Radio M4x0,7 LG. 165/12º  | <i>Spoke, M4x0.7 long 165/12 - Left side</i>   | 16       |
| 15  | <b>70758</b>      | Radio M4x0,7 LG. 34,5/103º  | <i>Spoke, M4x0.7 short 34.5/103 - Left side</i>  | 16       |
| 16  | <b>70759</b>      | Tuerca Radios Doble Rosca M4  | <i>Nipple (nut) double-end threaded M4</i>   | 32       |
| 17  | <b>70760</b>      | Válvula   | <i>Valve</i>   | 1        |
| 18a | <b>70459</b>      | Cadena 102 pasos / 135 EBXL (520) (125cc)   | <i>Chain 102 links / 135 EBXL (520) (125cc)</i>  | 1        |
| 18b | <b>70401</b>      | Cadena 100 pasos / 135 EBXL (520) (250-280-300cc)   | <i>Chain 100 Links (250-280-300cc)</i>   | 1        |
| 19  | <b>70402</b>      | Enganche Cadena   | <i>Chain master-link</i>   | 1        |
| 20a | <b>7075T</b>      | Cjto. Rueda trasera (Llanta anodizada negra aligerada, buje mecanizado anodizado rojo, neumático, adhesivos llanta Gold 2023, disco y corona 40z) | <i>Rear rim set (Black anodized rim, CNC hub red anodized, tire, stickers Gold 2023, disc, sprocket 40z)</i> | 1        |
| 20b | <b>7075U</b>      | Cjto. Rueda trasera (Llanta anodizada negra aligerada, buje mecanizado anodizado rojo, neumático, adhesivos llanta Gold 2023, disco y corona 45z) | <i>Rear rim set (Black anodized rim, CNC hub red anodized, tire, stickers Gold 2023, disc, sprocket 45z)</i> | 1        |

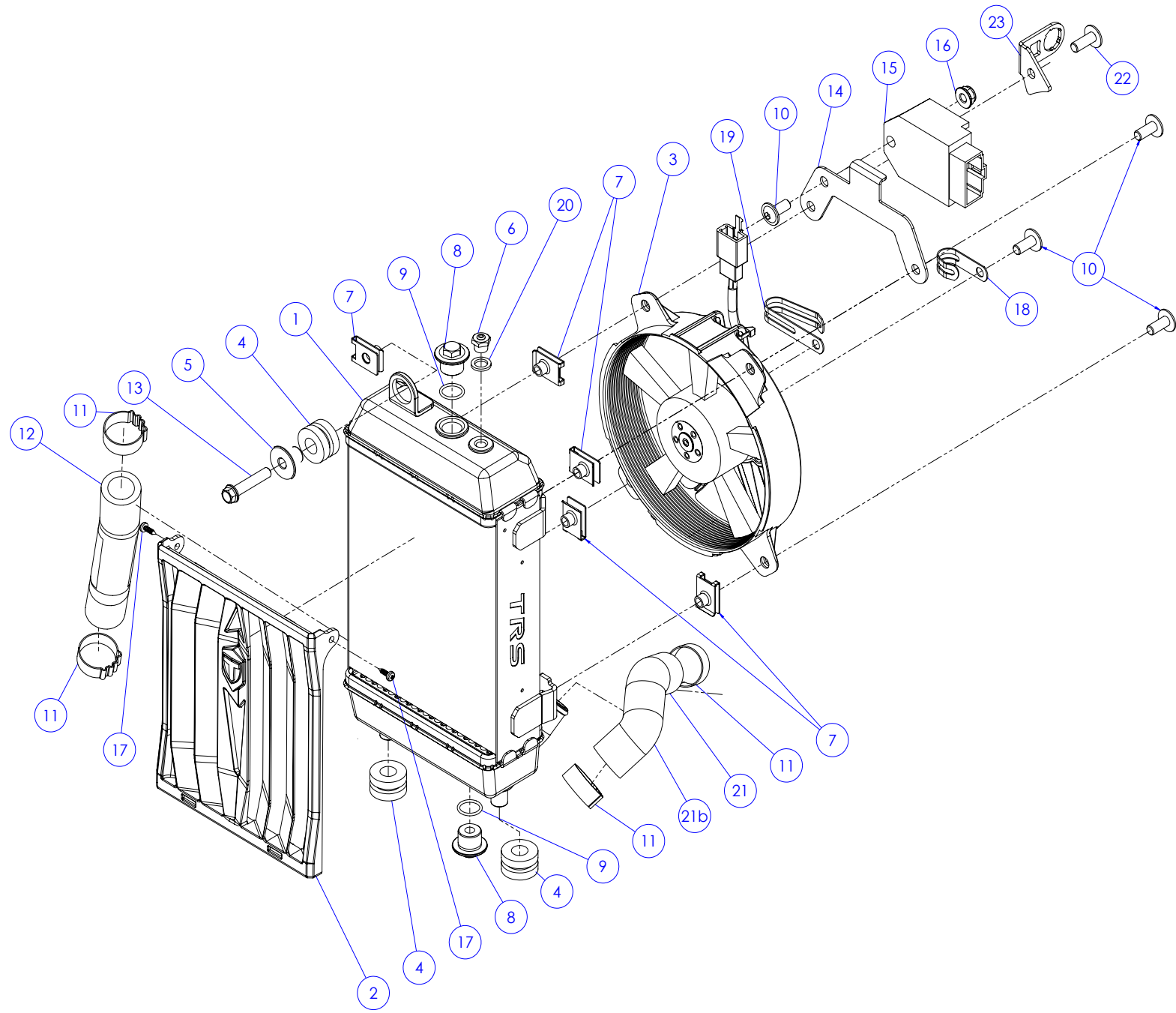


D

C

B

A



Despiece GOLD 2023  
 13 - CR - Conjunto Radiador - Explosionado  
 TRRS Motorcycles

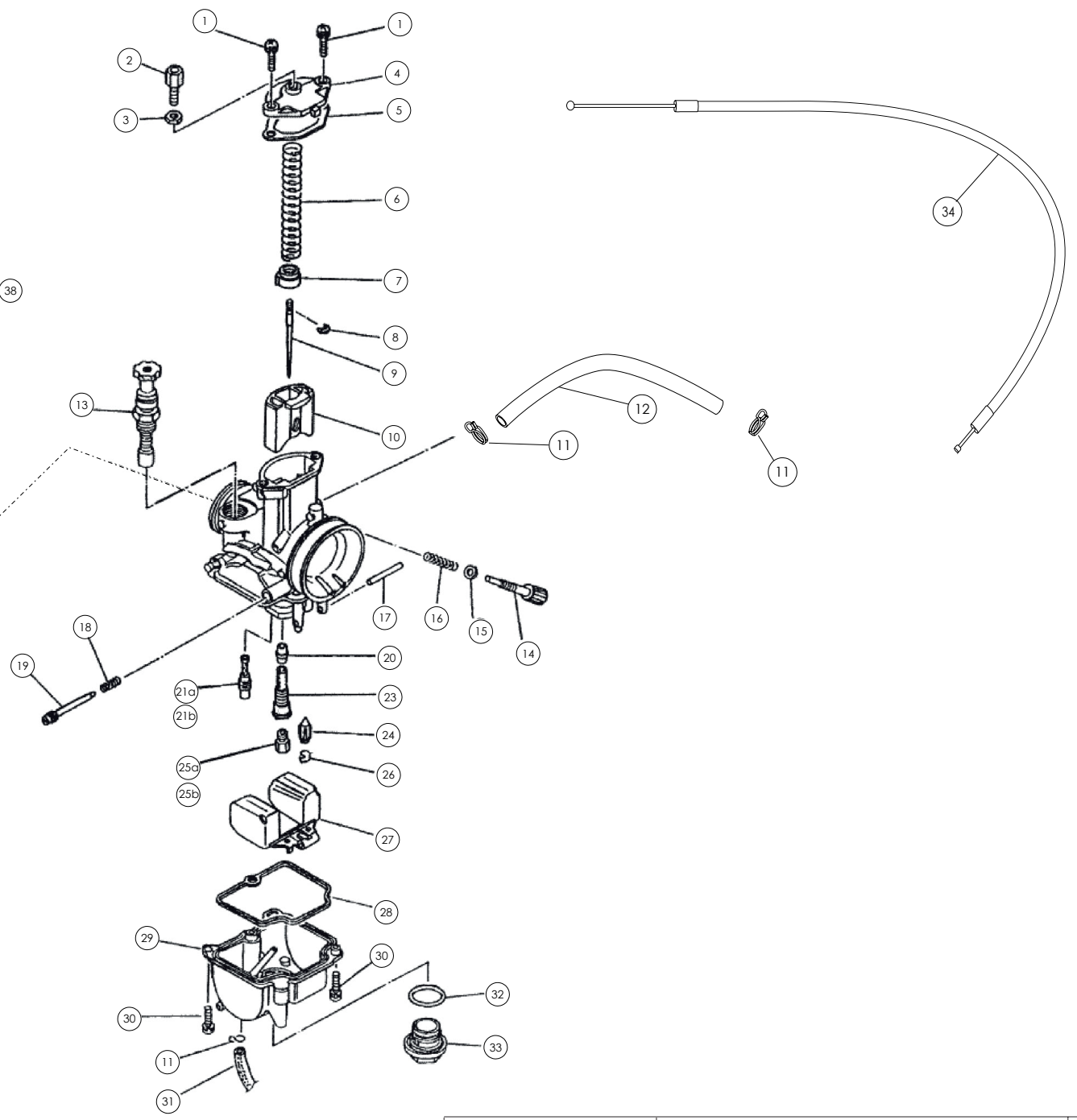
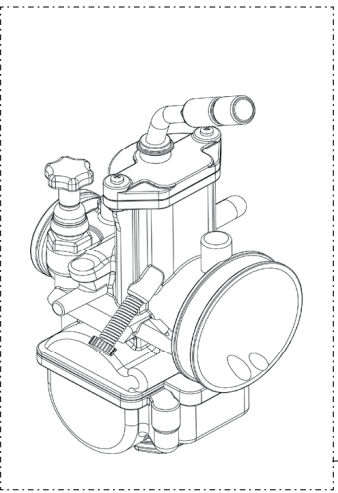
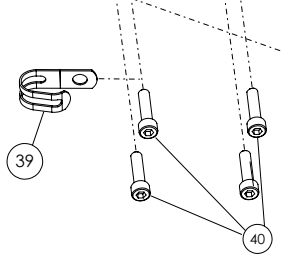
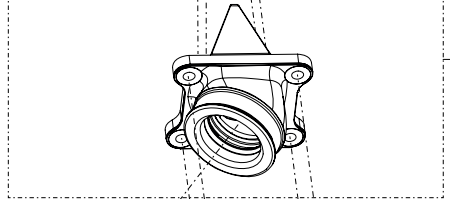
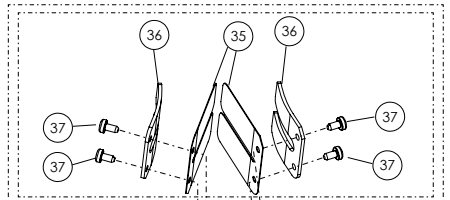


## Despiece / Parts Book TRRS GOLD 2023

## 13 - CR - Conjunto Radiador - Listado de piezas

| Nº  | Código     | Descripción   | Description  | Cantidad |
|-----|------------|---|--|----------|
| 1   | 13009TR100 | Radiador TRRS   | Radiator TRRS  | 1        |
| 2   | 13005TR100 | Protector Radiador  | Radiator protect   | 1        |
| 3   | 70234      | Ventilador  | Fan  | 1        |
| 4   | 63002      | Silentblock   | Silentblock (vibration isolator)                                       | 3        |
| 5   | 70802      | Casquillo superior silentblock radiador                           | Bushing, upper silentblock radiator                                    | 1        |
| 6   | 70801      | Válvula expansión radiador  | Radiator expansion valve   | 1        |
| 7   | 51301      | Tuerca rápida universal M6  | Universal clip-nut, M6   | 5        |
| 8   | 13004TR100 | Tapón Radiador  | Radiator cap   | 2        |
| 9   | 53015      | Tórica 12x1,5   | O-ring, 12x1.5   | 2        |
| 10  | 50209      | Tornillo allen con valona M6x14                                   | Screw allen with washer M6x14  | 5        |
| 11  | 58009      | Abrazadera Cobra 22   | Hose clamp, Cobra 22   | 4        |
| 12  | 13003TR101 | Tubo agua silicona rojo (Bomba- Radiador)                         | Water hose red silicone (Water pump - Radiator)                        | 1        |
| 13  | 50914      | Tornillo hexagonal con valona M6x30                               | Bolt hexagonal flange M6x30  | 1        |
| 14  | 13011TR100 | Soporte regulador ventilador                                      | Fan regulator support  | 1        |
| 15  | 70239      | Regulador ventilador DC   | Regulator fan DC   | 1        |
| 16  | 51501      | Tuerca Autoblocante M6  | Locknut M6   | 1        |
| 17  | 50606      | Tornillo 2,9x9,5 rosca chapa                                      | Screw 2.9x9.5  | 2        |
| 18  | 58001      | Abrazadera 60mm   | Clamp 60mm   | 1        |
| 19  | 58002      | Abrazadera para Cableado 100mm                                    | Clamp for cables, 100mm  | 1        |
| 20  | 56102      | Arandela cobre 8x12x1,5   | Copper washer, 8x12x1.5  | 1        |
| 21  | 13012TR100 | Tubo agua rojo silicona (Cul.-Rad.)                               | Water hose red silicone (Cyl.- Rad.)                                   | 1        |
| 21b | 13010TR101 | (Solo 125 cc) Tubo agua curvado silicona rojo (Culata - Radiador) | (Only 125 cc)Water hose curved red silicone (Cylinder head - Radiator) | 1        |
| 22  | 50202      | Tornillo DIN 7380-fl M6x16  | Bolt, DIN 7380-fl M6x16  | 1        |
| 23  | 13013TR100 | Soporte interruptor CDI   | Support CDI switch   | 1        |







## Despiece / Parts Book TRRS GOLD 2023

## 14 - CC - Caja de Láminas y Carburador - Listado de piezas

| Nº  | Código       | Descripción                          | Description                        | Cantidad |
|-----|--------------|--------------------------------------|------------------------------------|----------|
| 1   | -            | -                                    | Screw, top cover                   | -        |
| 2   | -            | -                                    | Cable Adjuster                     | -        |
| 3   | -            | -                                    | Nut, Cable Adjuster                | -        |
| 4   | -            | -                                    | Top Cover                          | -        |
| 5   | -            | -                                    | Gasket, Top                        | -        |
| 6   | -            | -                                    | Spring, Throttle Valve             | -        |
| 7   | -            | -                                    | Collar, Throttle Spring            | -        |
| 8   | -            | -                                    | Clip, Jet Needle                   | -        |
| 9   | <b>72010</b> | Aguja JJH 4º punto                   | Jet Needle JJH 4º step             | 1        |
| 10  | -            | -                                    | Throttle Valve                     | -        |
| 11  | <b>58010</b> | Clip Tubo                            | Fuel hose clip                     | 2        |
| 12  | <b>62002</b> | Tubo Gasolina                        | Fuel hose                          | 1        |
| 13  | -            | -                                    | Starter Valve (pull knob) Complete | -        |
| 14  | <b>72018</b> | Tornillo ajuste ralenti Keihin       | Idle Adjuster                      | 1        |
| 15  | -            | -                                    | Washer, Idle Adjuster              | -        |
| 16  | -            | -                                    | Spring, Idle Adjuster              | -        |
| 17  | -            | -                                    | Float Pin                          | -        |
| 18  | -            | -                                    | Spring, Air Adjuster               | -        |
| 19  | -            | -                                    | Air Adjust Screw                   | -        |
| 20  | -            | -                                    | Needle Jet                         | -        |
| 21a | <b>72006</b> | Chiclé bajas 48 (250-280-300cc)      | Slow Jet 48 (250-280-300cc)        | 1        |
| 21b | <b>72008</b> | Chiclé bajas 52 (125cc)              | Slow Jet 52 (125cc)                | 1        |
| 22  | <b>58011</b> | Abrazadera Norma30/45                | Clamp, Norma 30/45                 | 1        |
| 23  | -            | -                                    | Needle Jet Holder SDGAA            | -        |
| 24  | -            | -                                    | Float Valve Complete               | -        |
| 25a | <b>72003</b> | Chiclé principal 125 (250-280-300cc) | Main Jet 125(250-280-300cc)        | 1        |
| 25b | <b>72004</b> | Chiclé principal 128 (125cc)         | Main Jet 128 (125cc)               | 1        |



## Despiece / Parts Book TRRS GOLD 2023

## 14 - CC - Caja de Láminas y Carburador - Listado de piezas

| Nº | Código            | Descripción                  | Description                 | Cantidad |
|----|-------------------|------------------------------|-----------------------------|----------|
| 26 | -                 | -                            | Clip, Float Valve           | -        |
| 27 | -                 | -                            | Float                       | -        |
| 28 | -                 | -                            | Gasket, Float Bowl          | -        |
| 29 | -                 | -                            | Float Bowl Complete         | -        |
| 30 | -                 | -                            | Screw, Float Bowl           | -        |
| 31 | -                 | -                            | Overflow pipe               | -        |
| 32 | -                 | -                            | O-Ring, Plug Screw          | -        |
| 33 | -                 | -                            | Plug Screw                  | -        |
| 34 | <b>14004TR100</b> | Cable De Gas Regulable       | Throttle cable              | 1        |
| 35 | <b>70446</b>      | Láminas                      | Reed valves                 | 1        |
| 36 | -                 | Tope Metálico Láminas        | Metal stop, reeds           | 1        |
| 37 | -                 | Tornillo M3                  | Bolt, M3                    | 1        |
| 38 | <b>14005TR100</b> | Caja Láminas Completa Keihin | Complete reed cage assembly | 1        |
| 39 | <b>58001</b>      | Abrazadera 60mm              | Clamp 60mm                  | 1        |
| 40 | <b>50112</b>      | Tornillo Din 912 M5X20       | Bolt, DIN 912 M5x20         | 4        |
| 41 | <b>70452</b>      | Carburador Keihin PWK28      | Carburetor, Keihin PWK28    | 1        |

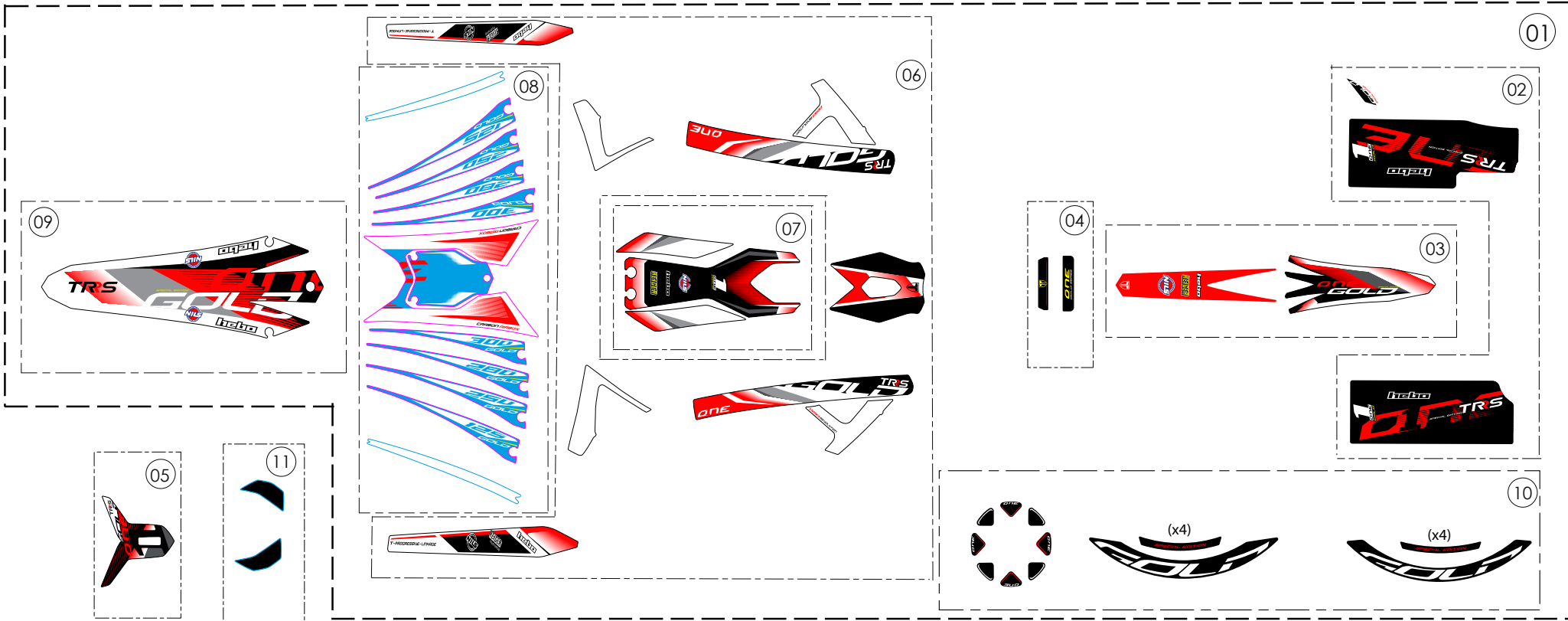


D

C

B

A



## Despiece / Parts Book TRRS GOLD 2023

## 15 - CA - Conjunto Adhesivos - Listado de piezas

| Nº | Código             | Descripción  | Description  | Cantidad |
|----|--------------------|--|--|----------|
| 1A | <b>15083TR100A</b> | Conjunto adhesivos ONE GOLD 2023 (300cc)           | <i>Sticker kit ONE GOLD 2023 (300cc)</i>             | 1        |
| 1B | <b>15083TR100B</b> | Conjunto adhesivos ONE GOLD 2023 (280cc)           | <i>Sticker kit ONE GOLD 2023 (280cc)</i>             | 1        |
| 1C | <b>15083TR100C</b> | Conjunto adhesivos ONE GOLD 2023 (250cc)           | <i>Sticker kit ONE GOLD 2023 (250cc)</i>             | 1        |
| 1D | <b>15083TR100D</b> | Conjunto adhesivos ONE GOLD 2023 (125cc)           | <i>Sticker kit ONE GOLD 2023 (125cc)</i>             | 1        |
| 2  | <b>15083TR101</b>  | Cjto. Adhesivos horquilla delantera GOLD 2023      | <i>Stickers set, fork GOLD 2023</i>                  | 1        |
| 3  | <b>15083TR102</b>  | Adhesivo guardabarros delantero GOLD 2023          | <i>Sticker, front mudguard (fender) GOLD 2023</i>    | 1        |
| 4  | <b>15077TR103</b>  | Adhesivo radiador GOLD                             | <i>Radiator sticker GOLD</i>                         | 1        |
| 5  | <b>15083TR404</b>  | Adhesivo careta Racing Gold 2023                   | <i>Sticker, headlamp mask GOLD 2023</i>              | 1        |
| 6  | <b>15083TR105</b>  | Cjto. Adhesivos chasis y basculante GOLD 2023      | <i>Stickers set, frame and swing-arm GOLD 2023</i>   | 1        |
| 7  | <b>15083TR106</b>  | Adhesivo depósito GOLD 2023                        | <i>Sticker, fuel tank GOLD 2023</i>                  | 1        |
| 8A | <b>15083TR107A</b> | Cjto. Adhesivos caja filtro GOLD 2023 (300cc)      | <i>Sticker, air filter box GOLD 2023 set (300cc)</i> | 1        |
| 8B | <b>15083TR107B</b> | Cjto. Adhesivos caja filtro GOLD 2023 (280cc)      | <i>Sticker, air filter box GOLD 2023 set (280cc)</i> | 1        |
| 8C | <b>15083TR107C</b> | Cjto. Adhesivos caja filtro GOLD 2023 (250cc)      | <i>Sticker, air filter box GOLD 2023 set (250cc)</i> | 1        |
| 8D | <b>15083TR107D</b> | Cjto. Adhesivos caja filtro GOLD 2023 (125cc)      | <i>Sticker, air filter box GOLD 2023 set (125cc)</i> | 1        |
| 9  | <b>15083TR108</b>  | Adhesivo guardabarros trasero GOLD 2023            | <i>Sticker, rear mudguard (fender) GOLD 2023</i>     | 1        |
| 10 | <b>15083TR109</b>  | Cjto. Adhesivos ruedas GOLD 2023                   | <i>Wheels sticker set GOLD 2023</i>                  | 1        |
| 11 | <b>15080TR406</b>  | Adhesivo negro aletas careta faro Racing Gold 2022 | <i>Sticker, black wings racing headlamp mask</i>     | 1        |

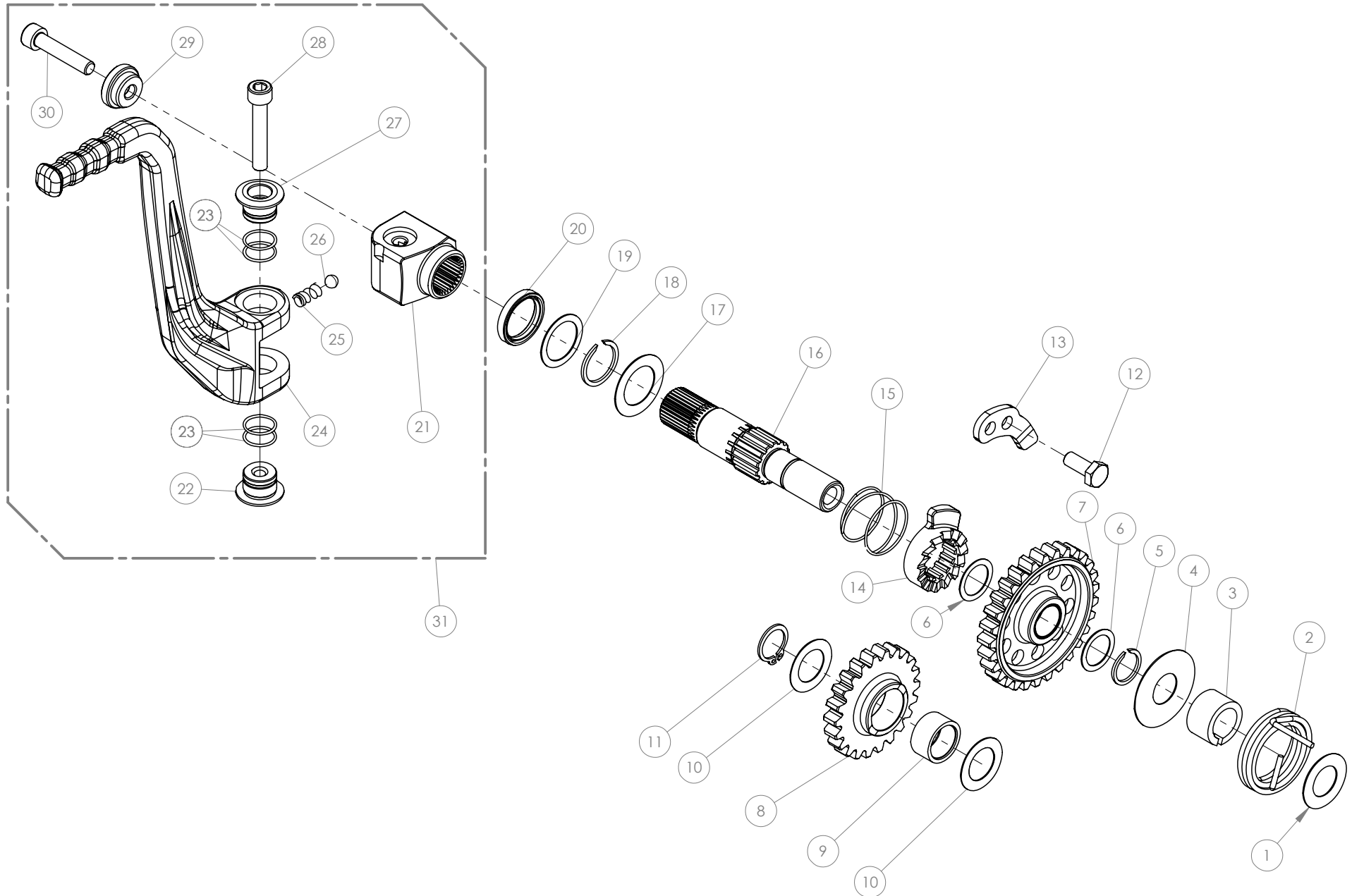


D

C

B

A



## Despiece / Parts Book TRRS GOLD 2023

## 01 - AP - Arranque Palanca - Listado de piezas

| Nº | Código     | Descripción   | Description  | Cantidad |
|----|------------|---|--|----------|
| 1  | 01001MT100 | Arandela Interna Arranque 25x14x0.5                 | Washer, internal kick-start 25x14x0.5              | 1        |
| 2  | 01002MT101 | Muelle Arranque                                     | Spring, kick-start                                 | 1        |
| 3  | 01018MT100 | Casquillo eje arranque                              | Spacer, kick starter                               | 1        |
| 4  | 01019MT100 | Arandela muelle arranque 14x35x0,5                  | Washer, kick starter spring                        | 1        |
| 5  | 55010      | Circlip Arranque DIN-471 Ø14x1                      | Circlip, kick starter DIN-471Ø14 x1                | 1        |
| 6  | 01020MT100 | Arandela piñon arranque 14x19x0,5                   | Washer, Kick starter gear                          | 2        |
| 7  | 01026MT100 | Piñon arranque                                      | Gear kick starter assembly                         | 1        |
| 8  | 01027MT100 | Piñon Intermedio Arranque                           | Gear, intermediate kick-start                      | 1        |
| 9  | 52513      | Rodamiento agujas Piñón Intermedio K15x19x10        | Bearing needle                                     | 1        |
| 10 | 01015MT100 | Arandela Piñon Intermedio Arranque 24x15x0.5        | Washer, intermediate kick-start gear 24x15x0.5     | 2        |
| 11 | 55002      | Circlip Piñón Intermedio Arranque 15X1 DIN-471      | Circlip, intermediate kick-start gear 15x1 DIN-471 | 1        |
| 12 | 50503      | Tornillo Hexagonal                                  | Bolt hexagonal                                     | 1        |
| 13 | 01025MT100 | Chapa tope trinquete                                | Ratchet cam  | 1        |
| 14 | 01022MT100 | Trinquete arranque                                  | Kick starter ratchet                               | 1        |
| 15 | 01023MT100 | Muelle trinquete arranque                           | Spring, kick starter ratched                       | 1        |
| 16 | 01024MT100 | Eje arranque  | Kick starter shaft                                 | 1        |
| 17 | 01028MT100 | Arandela Ø14Ø28x0.5                                 | Washer   | 1        |
| 18 | 55011      | Circlip DIN-471 Ø18 x1.2                            | Circlip DIN-471Ø18 x1.2                            | 1        |
| 19 | 01008MT101 | Arandela Eje Arranque 18X24X0,5                     | Washer, kick-start shaft 18x24x0.5                 | 1        |
| 20 | 54003      | Retén Arranque 18x24x4                              | Seal, kick-start 18x24x4                           | 1        |
| 21 | 01010MT100 | Muñequilla Pedal Arranque                           | Fulcrum, kick-start pedal                          | 1        |
| 22 | 01011MT100 | Casquillo Pedal Arranque - Inferior                 | Bushing, kick-start pedal (lower)                  | 1        |
| 23 | 53007      | Tórica Muñequilla Nbr 12X1                          | O-ring, starter fulcrum Nbr 12x1                   | 4        |
| 24 | 01014MT100 | Pedal Arranque Trs                                  | Pedal, kick-start                                  | 1        |
| 25 | 01013MT100 | Muelle posicionador palanca arranque                | Spring, kickstart position                         | 1        |
| 26 | 60002      | Bola Pedal Arranque F84Kug5,556                     | Ball, kick-start retention                         | 1        |
| 27 | 01009MT100 | Casquillo Pedal Arranque - Superior                 | Bushing, kick-start pedal (upper)                  | 1        |
| 28 | 50113      | Tornillo Pedal Arranque Din 912 M6X1X35             | Bolt, kick-start pedal DIN 912 M6x1x35             | 1        |
| 29 | 01012MT101 | Casquillo sujeccion palanca arranque anodizado rojo | Kick-start bushing red anodized                    | 1        |
| 30 | 50110      | Tornillo Din 912 M6X25 Muñequilla Arranque          | Bolt, Din 912 M6x25 kick-start fulcrum             | 1        |
| 31 | 01017MT100 | Conjunto Palanca                                    | Set, Starting Pedal                                | 1        |



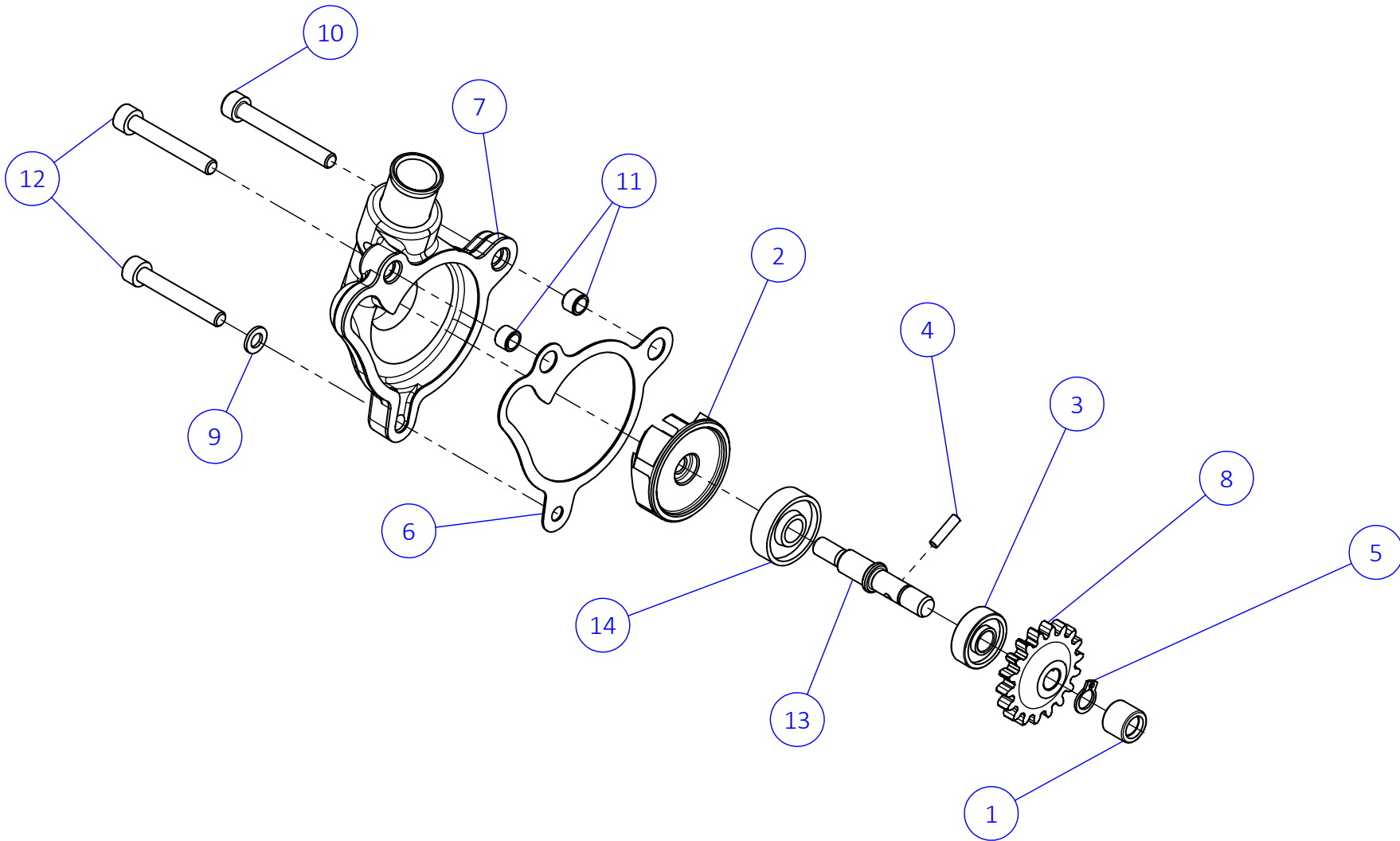


D

C

B

A



## Despiece / Parts Book TRRS GOLD 2023

## 02 - BA - Bomba Agua - Listado de piezas

| Nº | Código            | Descripción                  | Description                           | Cantidad |
|----|-------------------|------------------------------|---------------------------------------|----------|
| 1  | <b>52504</b>      | Rodamiento Agujas HK0709     | <i>Needle bearing HK0709</i>          | 1        |
| 2  | <b>02003MT100</b> | Turbina Bomba Agua           | <i>Turbine, water-pump</i>            | 1        |
| 3  | <b>52102</b>      | Rodamiento Bomba 19x7x6 607  | <i>Bearing, water-pump 19x7x6 607</i> | 1        |
| 4  | <b>61002</b>      | Aguja Ø3x11,8                | <i>Needle Ø3x11,8</i>                 | 1        |
| 5  | <b>55003</b>      | Circlip 7x0,8 Din-471        | <i>Circlip 7x0,8 Din-471</i>          | 1        |
| 6  | <b>02008MT100</b> | Junta tapa bomba agua        | <i>Gasket, water-pump cover</i>       | 1        |
| 7  | <b>02009MT100</b> | Cjto. Tapa bomba agua        | <i>Water-pump cover set</i>           | 1        |
| 8  | <b>02001MT100</b> | Piñón Bomba Agua             | <i>Gear, water-pump</i>               | 1        |
| 9  | <b>56103</b>      | Arandela bronce Ø5x9x1       | <i>Washer cooper Ø5x9x1</i>           | 1        |
| 10 | <b>50115</b>      | Tornillo Allen DIN 912 M5x40 | <i>Bolt, Allen DIN 912 M5x40</i>      | 1        |
| 11 | <b>57005</b>      | Casquillo 5x7x5              | <i>Bushing 5x7x5</i>                  | 2        |
| 12 | <b>50116</b>      | Tornillo Allen DIN 912 M5x35 | <i>Bolt, Allen DIN 912 M5x35</i>      | 2        |
| 13 | <b>02010MT100</b> | Eje Bomba agua II            | <i>Shaft, water pump II</i>           | 1        |
| 14 | <b>54013</b>      | Retén bomba agua 8x24x7 NBR  | <i>Seal, water-pump 8x24x7 NBR</i>    | 1        |

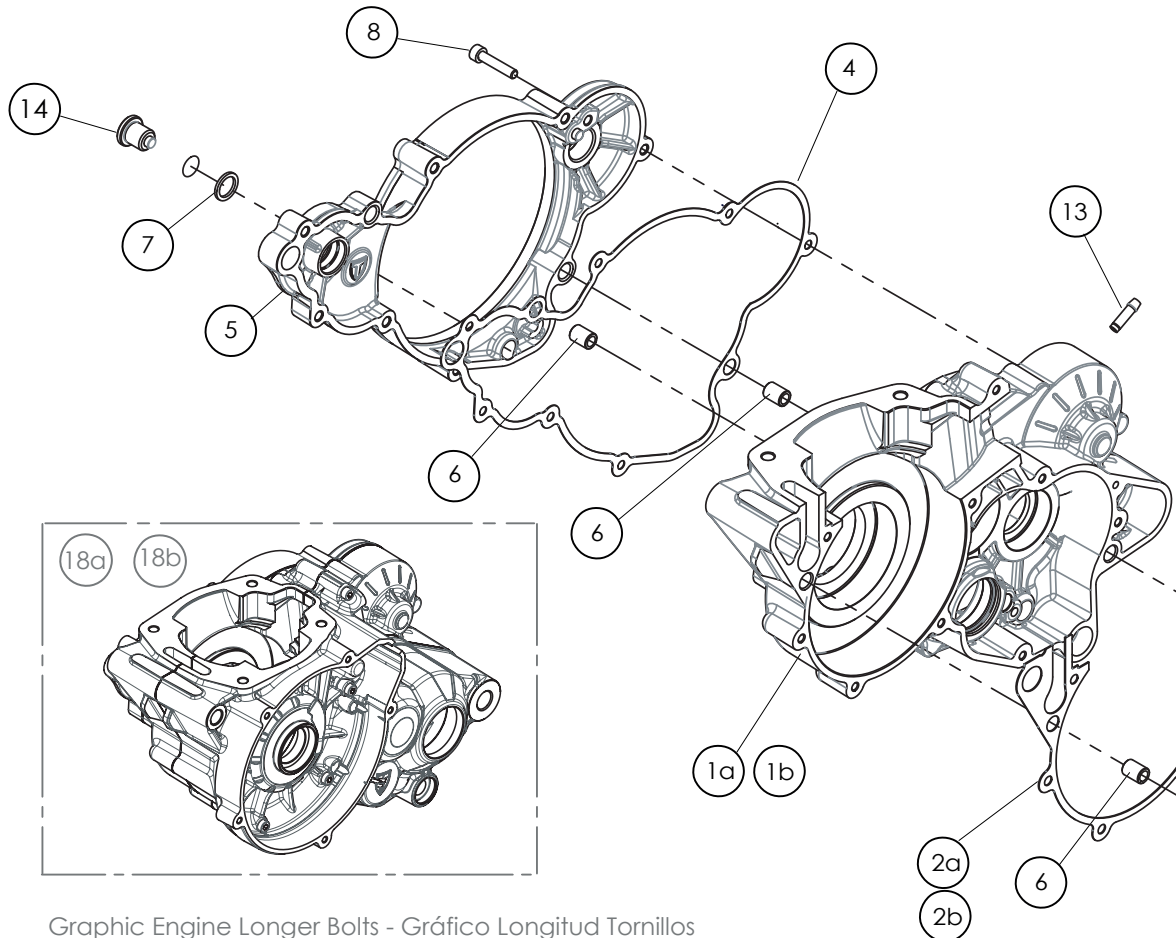


D

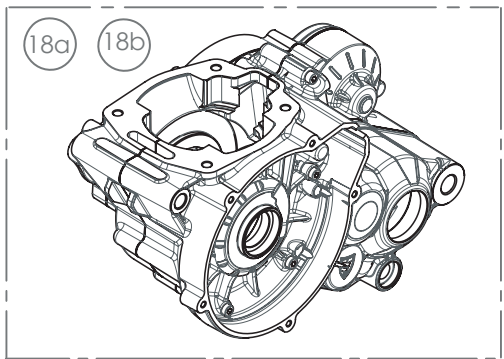
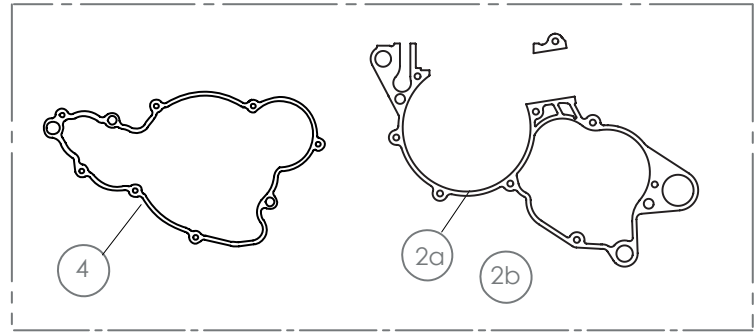
C

B

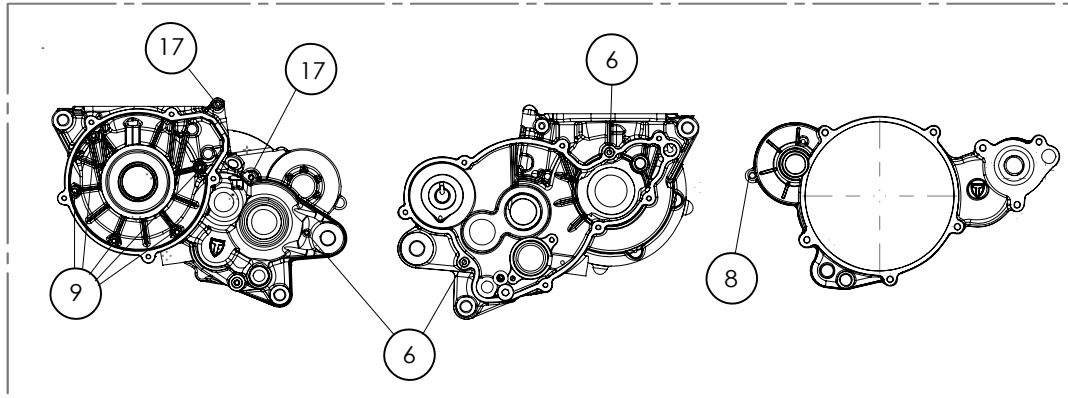
A



Kit Juntas Cárters



Graphic Engine Longer Bolts - Gráfico Longitud Tornillos



Despiece GOLD 2023  
 03 - CM - Cárters Motor - Explosionado  
 TRRS Motorcycles



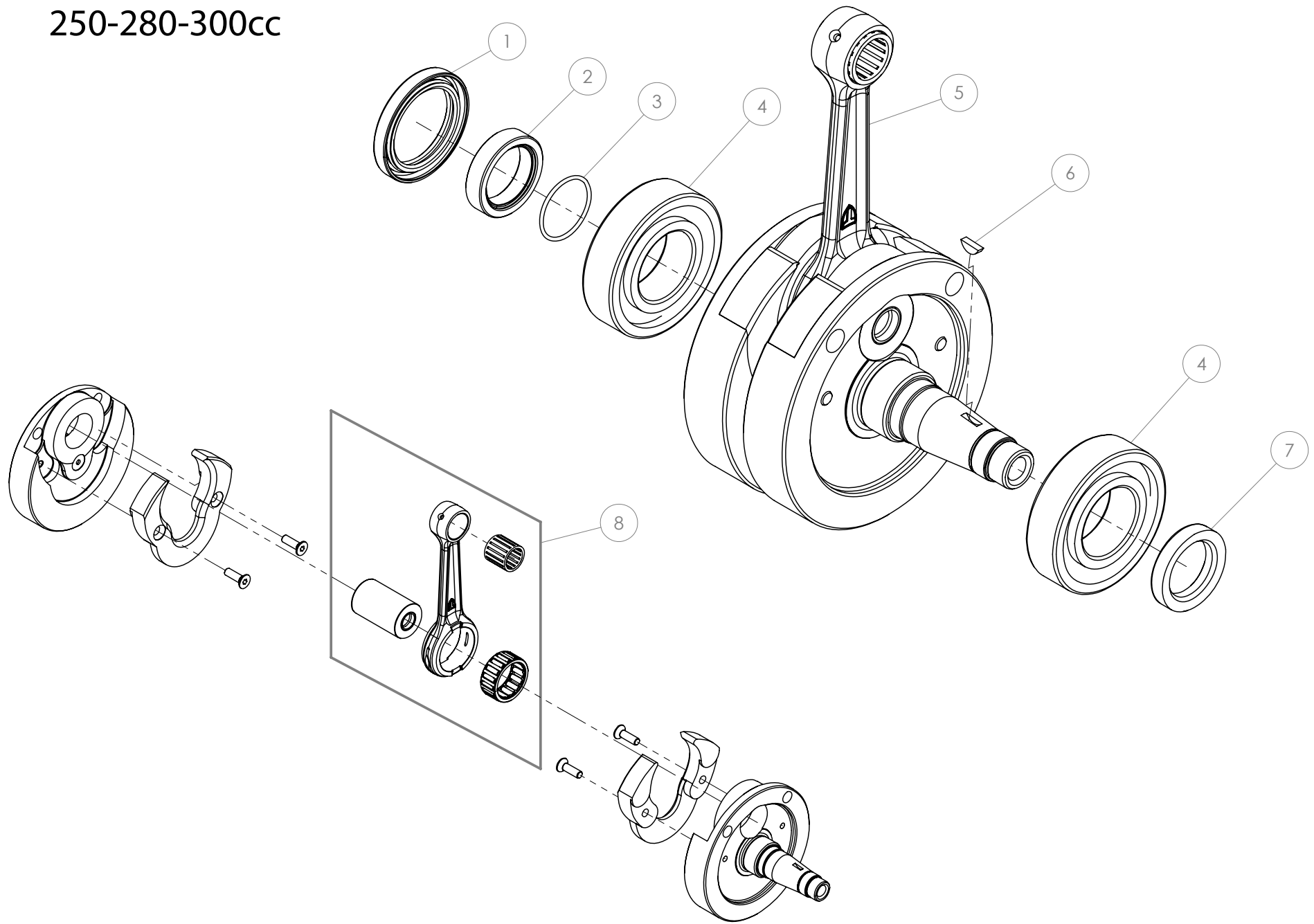
## Despiece / Parts Book TRRS GOLD 2023

## 03 - CM - Cárters Motor - Listado de piezas

| Nº  | Código            | Descripción                                  | Description                                   | Cantidad |
|-----|-------------------|--|---|----------|
| 1a  | <b>03022MT100</b> | Carter derecho II                            | <i>Crankcase right II</i>                     | 1        |
| 1b  | <b>03015MT100</b> | Cárter derecho 125cc                         | <i>Case halve, 125cc right side</i>           | 1        |
| 2a  | <b>03024MT100</b> | Junta carter central II                      | <i>Engine case gasket II</i>                  | 1        |
| 2b  | <b>03012MT100</b> | Junta central cárter 125cc                   | <i>Gasket, 125cc center case</i>              | 1        |
| 3a  | <b>03021MT100</b> | Carter izquierdo II                          | <i>Crankcase left II</i>                      | 1        |
| 3b  | <b>03014MT100</b> | Cárter izquierdo 125cc                       | <i>Case halve,125cc left side</i>             | 1        |
| 4   | <b>03011MT100</b> | Junta carter embrague                        | <i>Gasket, clutch cover</i>                   | 1        |
| 5   | <b>03018MT101</b> | Tapa interior embrague II                    | <i>Inner clutch cover II</i>                  | 1        |
| 6   | <b>57002</b>      | Centrador carter                             | <i>Centering bushing, crank case</i>          | 4        |
| 7   | <b>56104</b>      | Arandela 12X16X1.5 cobre                     | <i>Copper washer, 12x16x1.5</i>               | 1        |
| 8   | <b>50121</b>      | Tornillo allen M5X30                         | <i>Bolt allen M5x30</i>                       | 1        |
| 9   | <b>50117</b>      | Tornillo allen M5X60                         | <i>Bolt allen M5x60</i>                       | 6        |
| 10  | <b>01018TR100</b> | Depósito desvaporizador                      | <i>Ventilation reservoir</i>                  | 1        |
| 11  | <b>62104</b>      | Tubo tubo goma desvaporizador carter         | <i>Rubber hose crankcase vent</i>             | 1        |
| 12  | <b>58010</b>      | Clip Tubo desvaporizador                     | <i>Clip, vent hose retention</i>              | 2        |
| 13  | <b>704A0</b>      | Racord desvaporizador metal                  | <i>Breather straight tube</i>                 | 1        |
| 14  | <b>03003MT100</b> | Tapón vaciado aceite con imán                | <i>Drain plug oil with magnet</i>             | 1        |
| 15  | <b>58016</b>      | Abrazadera regulable revestida con vinilo Ø3 | <i>Adjustable clamp vinyl coated Ø3</i>       | 1        |
| 16  | <b>50B01</b>      | Tornillo M3x6 Phillips                       | <i>Bolt M3x6 Phillips</i>                     | 1        |
| 17  | <b>50116</b>      | Tornillo allen M5X35                         | <i>Bolt allen M5x35</i>                       | 3        |
| 18a | <b>03025MT100</b> | Conjunto cárters "engine revolution" II      | <i>Engine case set "engine revolution" II</i> | 1        |
| 18b | <b>03016MT100</b> | Conjunto cárters 125                         | <i>Case halve, 125 set</i>                    | 1        |



250-280-300cc



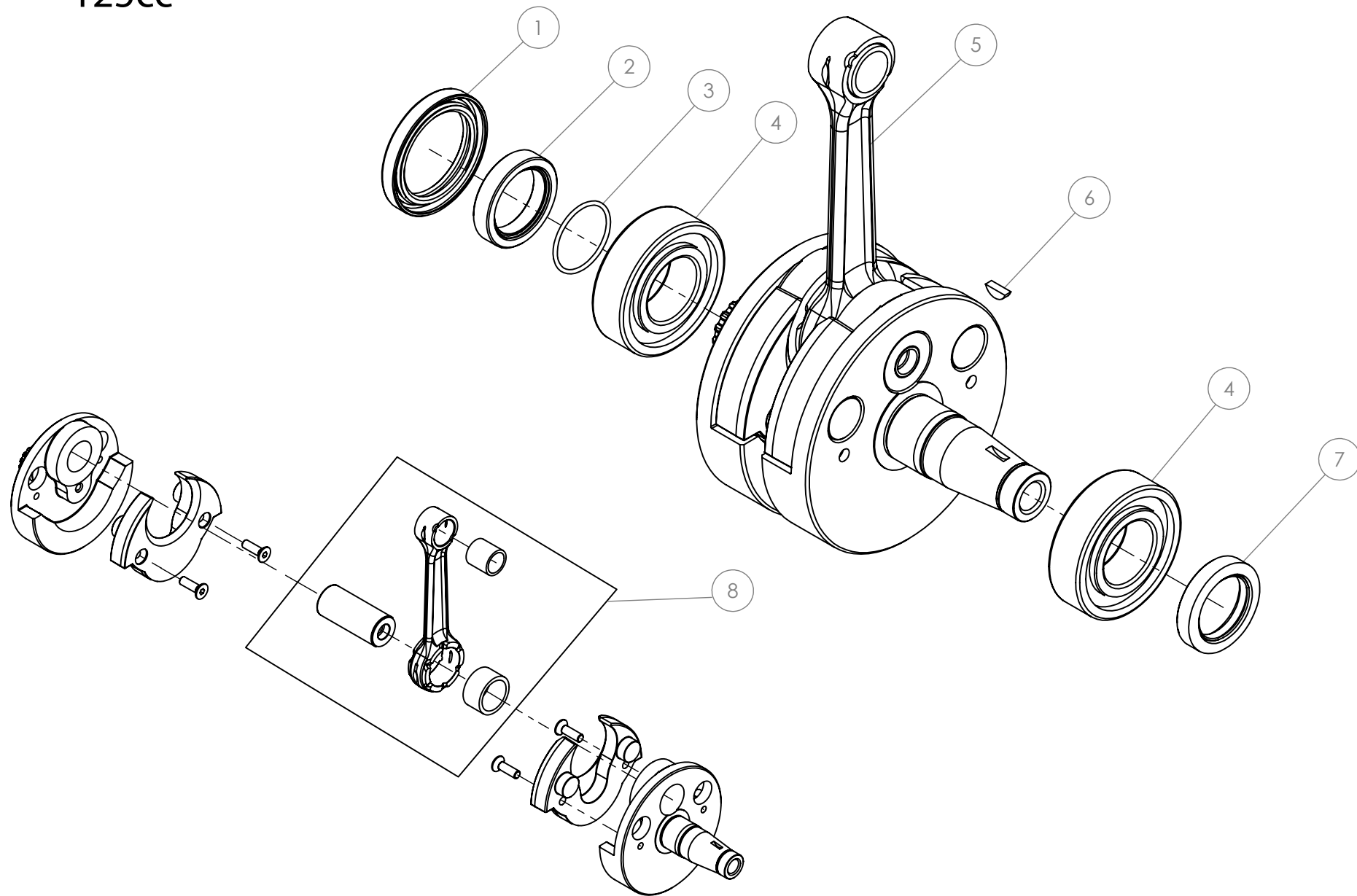
## Despiece / Parts Book TRRS GOLD 2023

## 04 - CM - Cigüeñal - Listado de piezas

| Nº | Código            | Descripción                                | Description                                    | Cantidad |
|----|-------------------|--|--|----------|
| 1  | <b>54011</b>      | Reten Doble Labio 35x47x6                  | <i>Double Lip Seal 35x47x6</i>                 | 1        |
| 2  | <b>04023MT100</b> | Casquillo piñon salida cigüeñal            | <i>Bushing, primary gear</i>                   | 1        |
| 3  | <b>53016</b>      | Tórica Ø1,5Ø25                             | <i>O-ring Ø1,5Ø25</i>                          | 1        |
| 4  | <b>52109</b>      | Rodamiento de bolas                        | <i>Ball bearing</i>                            | 2        |
| 5  | <b>04004MT100</b> | Conjunto cigüeñal                          | <i>Complete crankshaft</i>                     | 1        |
| 6  | <b>59001</b>      | Chaveta Volante Magnético DIN6888 10x3x3,7 | <i>Key, magneto flywheel DIN 6888 10x3x3.7</i> | 1        |
| 7  | <b>54005</b>      | Retén Cigüeñal Volante 24X35X7             | <i>Seal, crankshaft magneto 24x35x7</i>        | 1        |
| 8  | <b>04003MT100</b> | Kit Biela                                  | <i>Rod kit</i>                                 | 1        |



125cc





## Despiece / Parts Book TRRS GOLD 2023

## 04 - CM - Cigüeñal - Listado de piezas

| Nº | Código            | Descripción                                | Description                                    | Cantidad |
|----|-------------------|--|--|----------|
| 1  | <b>54011</b>      | Reten Doble Labio 35x47x6                  | <i>Double Lip Seal 35x47x6</i>                 | 1        |
| 2  | <b>04014MT100</b> | Casquillo piñon salida cigüeñal 125cc      | <i>Bushing, primary gear 125cc</i>             | 1        |
| 3  | <b>53016</b>      | Torica 25x1,5                              | <i>O-ring 25x1,5</i>                           | 1        |
| 4  | <b>52110</b>      | Rodamiento de bolas SKF 6205 ETN9/C4       | <i>Ball bearing SKF 6205 ETN9/C4</i>           | 2        |
| 5  | <b>04020MT100</b> | Conjunto cigüeñal 125                      | <i>Complete crankshaft 125</i>                 | 1        |
| 6  | <b>59001</b>      | Chaveta Volante Magnético DIN6888 10x3x3,7 | <i>Key, magneto flywheel DIN 6888 10x3x3.7</i> | 1        |
| 7  | <b>54005</b>      | Retén Cigüeñal Volante 24X35X7             | <i>Seal, crankshaft magneto 24x35x7</i>        | 1        |
| 8  | <b>04022MT100</b> | Kit Biela 125                              | <i>Rod Kit 125</i>                             | 1        |

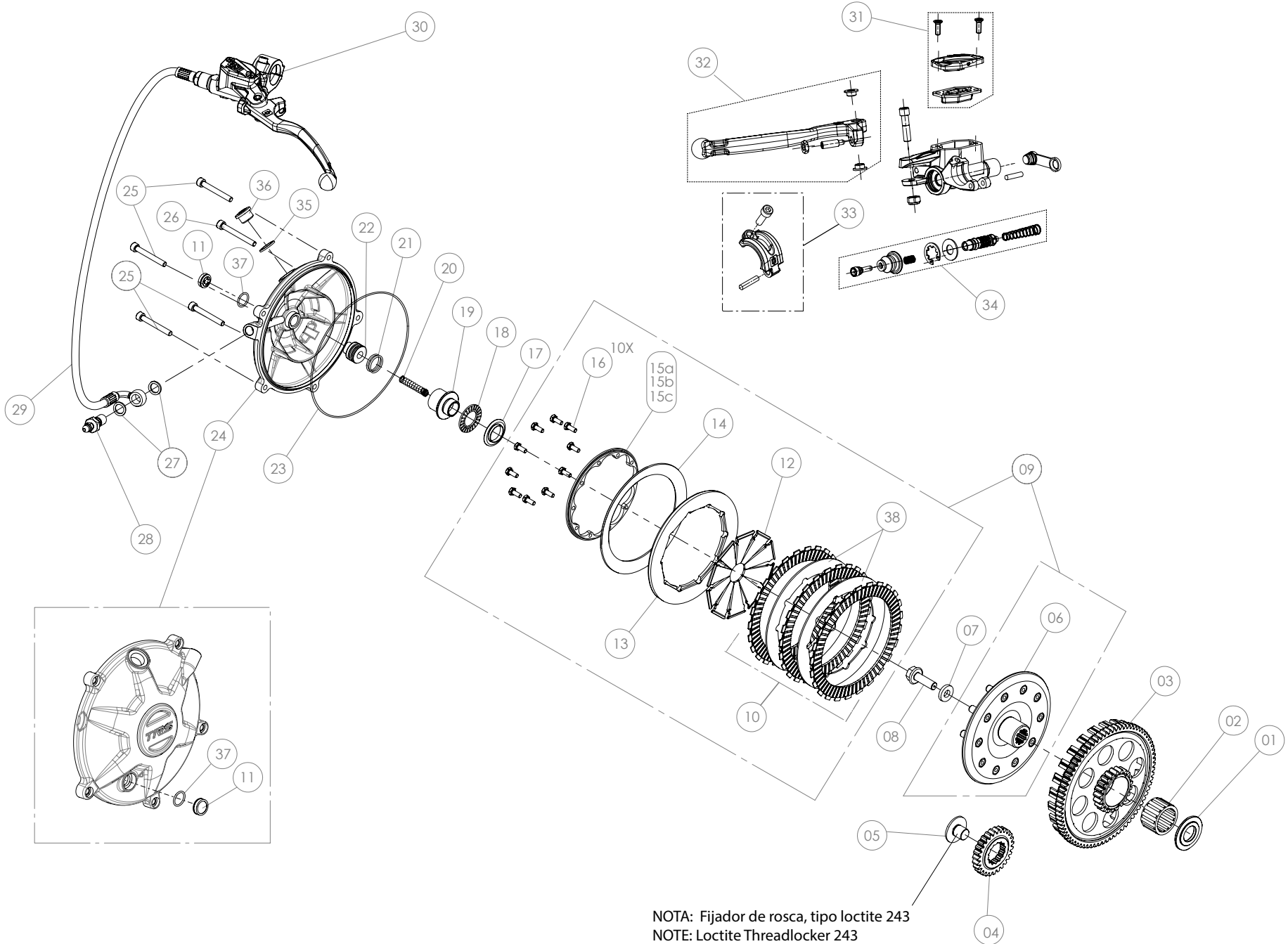


D

C

B

A



NOTA: Fijador de rosca, tipo loctite 243  
 NOTE: Loctite Threadlocker 243



Despiece GOLD 2023  
 05 - CE - Conjunto Embrague - Explosionado  
 TRRS Motorcycles



## Despiece / Parts Book TRRS GOLD 2023

## 05 - CE - Conjunto Embrague - Listado de piezas

| Nº  | Código     | Descripción                                 | Description                                       | Cantidad |
|-----|------------|---|---|----------|
| 1   | 05001MT100 | Arandela Distanciadador Embrague            | Washer, clutch spacer                             | 1        |
| 2   | 52505      | Rodamiento Agujas Campana K25x33x20         | Needle bearing, clutch hub K25x33x20              | 1        |
| 3   | 05004MT100 | Campana Embrague                            | Clutch hub  | 1        |
| 4   | 05019MT100 | Piñón Transmisión Primario                  | Primary gear                                      | 1        |
| 5   | 05020MT100 | Tornillo Piñón Primario                     | Bolt, Primary gear                                | 1        |
| 6   | 05005MT100 | Cubo Embrague                               | Outer clutch hub set                              | 1        |
| 7   | 05006MT100 | Arandela Apriete Cubo                       | Washer, clutch hub retention                      | 1        |
| 8   | 50904      | Tornillo M8x16 (10.9)                       | Bolt, M8x16 (10.9)                                | 1        |
| 9   | 70907      | Conjunto Embrague Completo                  | Complete clutch assembly                          | 1        |
| 10  | 05018MT100 | Conjunto discos embrague                    | Clutch disc set                                   | 1        |
| 11  | 70919      | Mirilla nivel aceite                        | Oil window sight                                  | 1        |
| 12  | 05009MT100 | Chapa Palanca Embrague                      | plate, clutch actuation                           | 10       |
| 13  | 05010MT100 | Prensa Embrague                             | pressure plate, clutch                            | 1        |
| 14  | 05011MT100 | Muelle Prensa                               | Spring, clutch (belville)                         | 1        |
| 15a | 05012MT100 | Soporte muelle embrague (MED)               | Clutch spring suport (MED)                        | 1        |
| 15b | 05023MT100 | Soporte muelle embrague (DURO)              | Clutch spring support (HARD)                      | 1        |
| 15c | 05024MT100 | Soporte muelle embrague (BLANDO)            | Clutch spring support (SOFT)                      | 1        |
| 16  | 50502      | Tornillo DIN 933 M4x10 - Fijador Muelle     | Bolt, DIN 933 M4x10 - Clutch compression ring     | 10       |
| 17  | 05013MT100 | Arandela Fricción Embrague                  | Bushing, clutch compression                       | 1        |
| 18  | 52506      | Rodamiento agujas axial AXK1103             | Trust needle roller AXK1103                       | 1        |
| 19  | 05014MT101 | Pistón Bombín Embrague                      | Piston, clutch slave                              | 1        |
| 20  | 05016MT100 | Muelle Pistón embrague                      | Spring, clutch piston                             | 1        |
| 21  | 53010      | Tórica Embrague 15x1,5 NBR - Pistón Interno | O-ring, clutch 15x1.5 NBR - slave piston internal | 2        |
| 22  | 05015MT101 | Pistón Interno                              | Post, internal clutch slave                       | 1        |
| 23  | 53011      | Tórica Tapa Embrague 135x1,5                | O-ring, clutch cover 135x1.5                      | 1        |
| 24  | 05027MT101 | Tapa embrague con mirilla aceite (Gold)     | Clutch cover with oil window sight (Gold)         | 1        |
| 25  | 50119      | Tornillo DIN 912 M5x45 - Tapa Embrague      | Bolt, DIN 912 M5x45- Clutch cover                 | 4        |
| 26  | 50123      | Tornillo DIN 912 M5x50 - Tapa Embrague      | Bolt, DIN 912 M5x50- Clutch cover                 | 1        |
| 27  | 56101      | Arandela Al. 10x14x1,5                      | Washer, Al. 10x14x1.5                             | 2        |
| 28  | 70901      | Racord M10 Tapa Embrague                    | Bleeder valve, clutch cover (Banjo)               | 1        |



## Despiece / Parts Book TRRS GOLD 2023

## 05 - CE - Conjunto Embrague - Listado de piezas

| Nº | Código            | Descripción                         | Description                                    | Cantidad |
|----|-------------------|-------------------------------------|--|----------|
| 29 | <b>70902</b>      | Latiguillo Embrague                 | <i>Clutch hose</i>                             | 1        |
| 30 | <b>70913</b>      | Conjunto bomba embrague GOLD        | <i>Master cylinder clutch kit, GOLD</i>        | 1        |
| 31 | <b>70915</b>      | Kit tapa bomba embrague mecanizada  | <i>Clutch cover CNC set</i>                    | 1        |
| 32 | <b>70916</b>      | Kit leva embrague                   | <i>Clutch lever set</i>                        | 1        |
| 33 | <b>70918</b>      | Brida bomba anodizado rojo          | <i>Clamp, master cylinder red anodized</i>     | 1        |
| 34 | <b>70914</b>      | Conjunto piston bomba embrague      | <i>Rep. Piston Kit, clutch master cylinder</i> | 1        |
| 35 | <b>56106</b>      | Arandela 14X18X1.5 Copper           | <i>Copper Washer, 14x18x1.5</i>                | 1        |
| 36 | <b>06018MT101</b> | Tapón allen aluminio anodizado rojo | <i>Cap, allen aluminium red anodized</i>       | 1        |
| 37 | <b>53028</b>      | Torica 11.5x1,5 NBR                 | <i>O-Ring 11,5x1,5 NBR</i>                     | 1        |
| 38 | <b>05028MT100</b> | Disco metálico embrague 1,6mm       | <i>Metal disc, clutch 1,6mm</i>                | 1        |

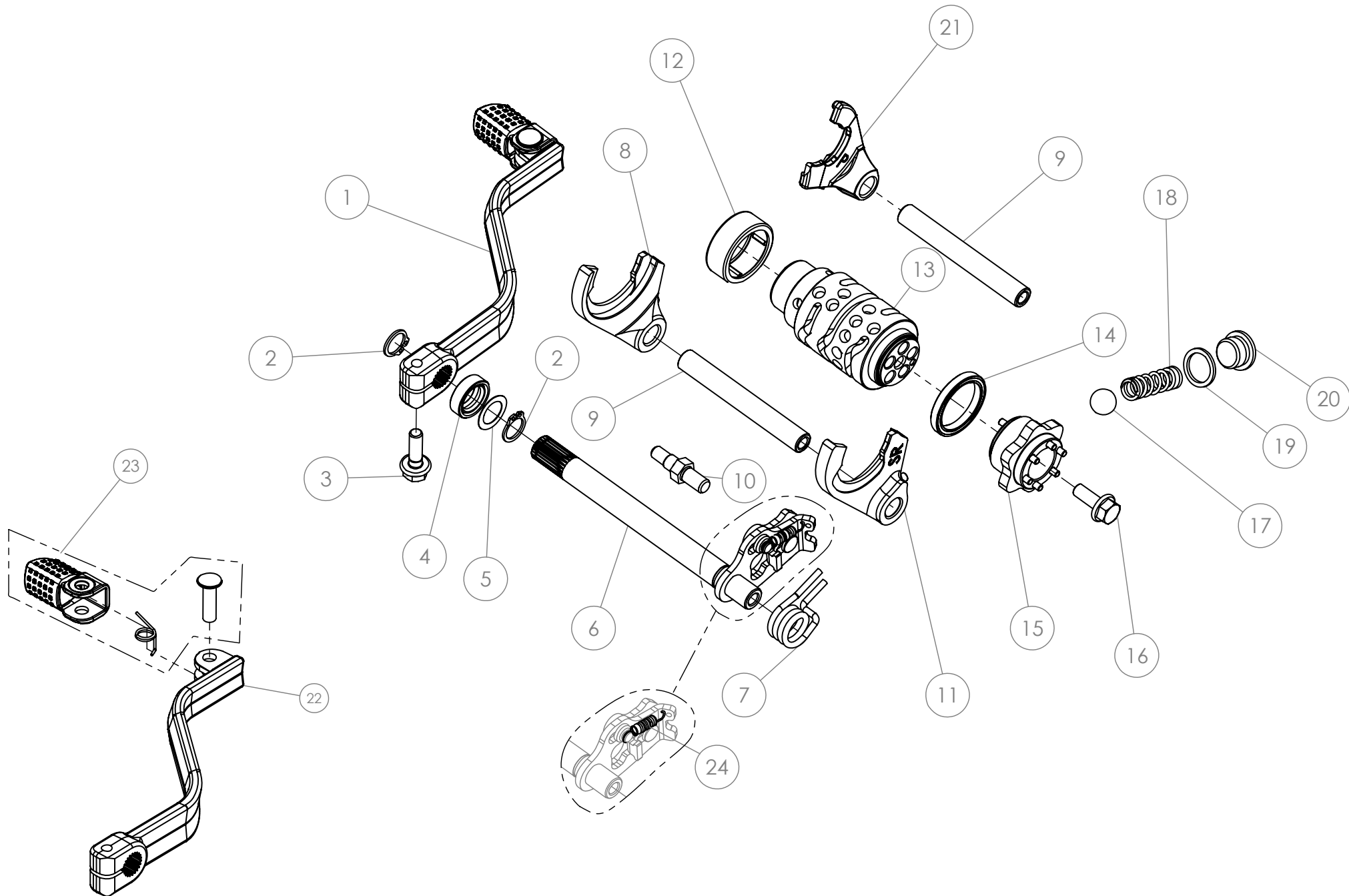


D

C

B

A



## Despiece / Parts Book TRRS GOLD 2023

## 06 - SC - Selector Cambio - Listado de piezas

| Nº | Código     | Descripción                                     | Description                                 | Cantidad |
|----|------------|---|---|----------|
| 1  | 06001MT101 | Conjunto Palanca Cambio                         | Complete shift pedal                        | 1        |
| 2  | 55004      | Circlip DIN-471-Ø12                             | Circlip DIN-471-Ø12                         | 2        |
| 3  | 50909      | Tornillo DIN 6921 M6x20 Hexagonal               | Bolt, DIN 6921 M6x20 hex-head               | 1        |
| 4  | 54006      | Retén Eje Cambio 12x20x6                        | Seal, shift shaft 12x20x6                   | 1        |
| 5  | 06002MT100 | Arandela 12x18x0.3                              | Washer 12x18x0.3                            | 1        |
| 6  | 06027MT100 | Eje selector completo                           | Shifting shaft set                          | 1        |
| 7  | 06031MT100 | Muelle eje selector                             | Spring, shifting shaft                      | 1        |
| 8  | 06006MT100 | Horquilla secundario Izquierda SL               | Fork, secondary left SL                     | 1        |
| 9  | 06007MT100 | Eje Horquillas                                  | Shaft, shift fork                           | 2        |
| 10 | 06003MT100 | Tope Recorrido Selector                         | Stop, shift shaft                           | 1        |
| 11 | 06008MT100 | Horquilla secundario derecha SR                 | Fork, secondary right SR                    | 1        |
| 12 | 52507      | Rodamiento Izquierdo Desmodrómico HK2512        | Bearing, left Shift drum HK2512             | 1        |
| 13 | 06039MT100 | Desmodrómico (Ligero)                           | Shift roller (Lightweight)                  | 1        |
| 14 | 52103      | Rodamiento Derecha Desmodromico Bolas 61705-SRS | Bearing, shift drum right - balls 61705-SRS | 1        |
| 15 | 06032MT100 | Conjunto estrella desmo                         | Gearshift set                               | 1        |
| 16 | 50903      | Tornillo DIN 6921 M6x16                         | Bolt, DIN 6921 M6x16                        | 1        |
| 17 | 60003      | Bola Fijador Marchas Kug 11,906                 | Ball, gear selector position Kug 11.906     | 1        |
| 18 | 06029MT100 | Muelle Fijador Marchas                          | Spring, gear selector tension               | 1        |
| 19 | 56106      | Arandela 14X18X1.5 Copper                       | Copper Washer, 14x18x1.5                    | 1        |
| 20 | 06018MT100 | Tapón allen aluminio                            | Cap, allen aluminium                        | 1        |
| 21 | 06017MT100 | Horquilla primario                              | Fork, primary                               | 1        |
| 22 | 06020MT101 | Palanca Cambio                                  | Shift pedal arm (bare)                      | 1        |
| 23 | 70451      | Kit Reparación Palanca Selector                 | Repair kit, shift pedal tip                 | 1        |
| 24 | 06030MT100 | Muelle selector marchas                         | Spring tensioning, shifting plate           | 1        |



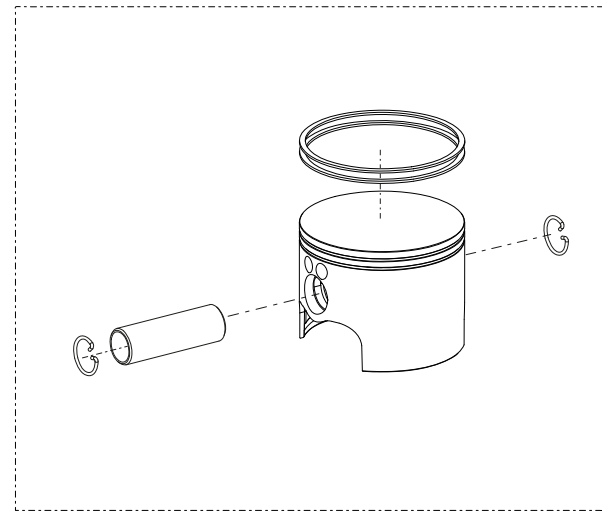
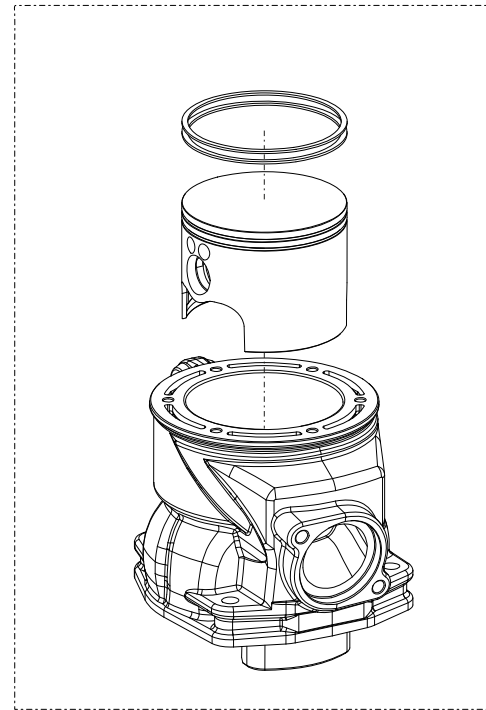
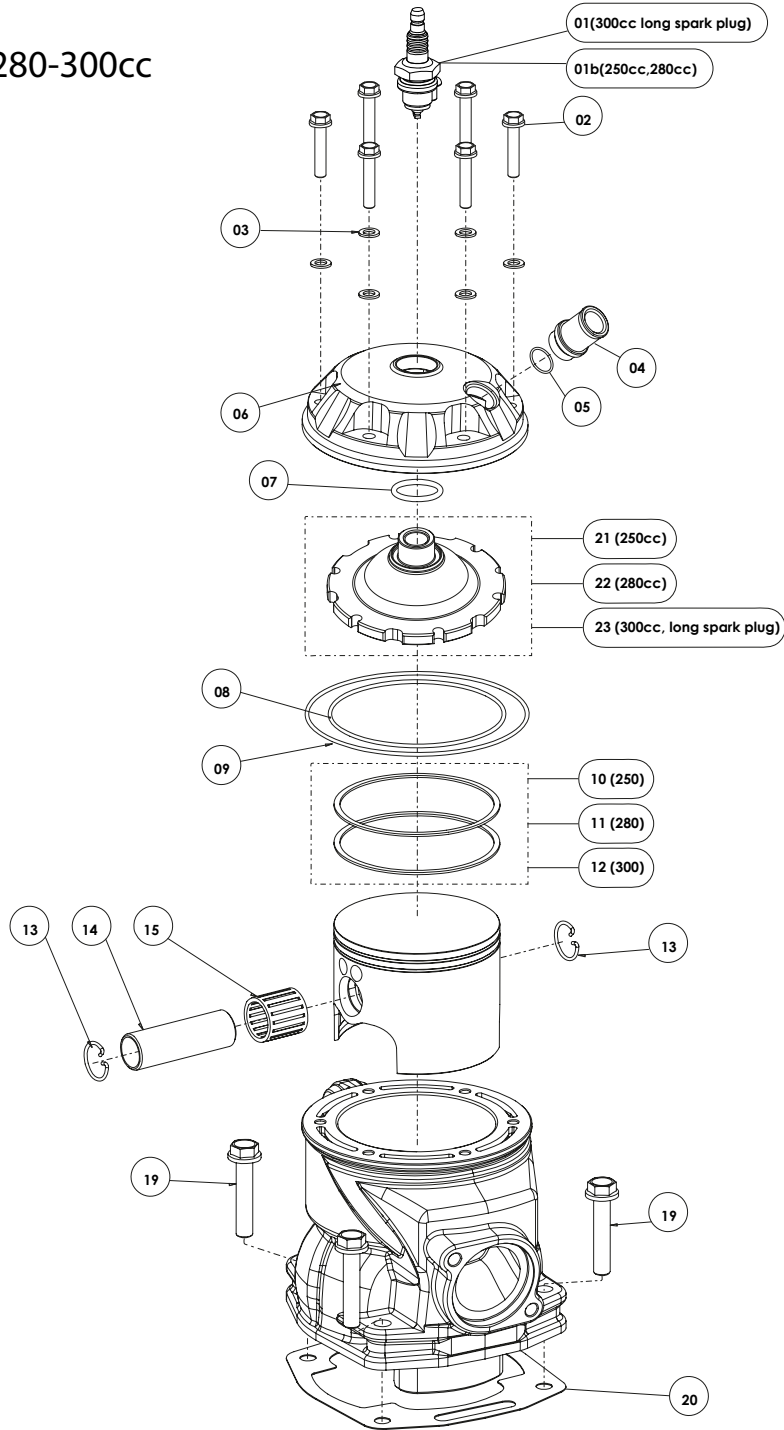
# 250-280-300cc

D

C

B

A





## Despiece / Parts Book TRRS GOLD 2023

## 07 - CP - Cilindro y Pistón - Listado de piezas

| Nº  | Código            | Descripción  | Description  | Cantidad |
|-----|-------------------|--|--|----------|
| 1a  | <b>70232</b>      | Bujía NGK BPR5EIX Iridium IX (300cc)                           | Spark plug NGK BPR5EIX Iridium IX (300cc)                  | 1        |
| 1b  | <b>70205</b>      | Bujía NGK BPMRGA (250cc, 280cc)                                | Spark plug NGK BPMRGA(250cc, 280cc)                        | 1        |
| 2   | <b>50911</b>      | Tornillo DIN 6921 M6X25 Culata                                 | Bolt, DIN 6921 M6x25 Cylinder head                         | 6        |
| 3   | <b>56105</b>      | Arandela Tornillo Culata 6x12x1.5 Copper                       | Copper washer, cylinder head bolt 6x12x1.5                 | 6        |
| 4   | <b>07021MT100</b> | Racor tubo agua  | Water hose racor   | 1        |
| 5   | <b>53007</b>      | Tórica 12x1 NBR  | O'ring, 12x1 NBR   | 1        |
| 6   | <b>07018MT102</b> | Tapa culata mecanizada con sensor temperatura (Anodizado rojo) | Cylinder head cover machined with T. Sensor (Red anodized) | 1        |
| 7   | <b>53012</b>      | Tórica Culatín Vitón 20x2,5                                    | O-ring, Viton 20x2.5                                       | 1        |
| 8   | <b>53013</b>      | Tórica Culata Interior Vitón 81,2x1,78                         | O-ring, Viton 81,2x1.78                                    | 1        |
| 9   | <b>53014</b>      | Tórica Culata Exterior Vitón 101,6x1,78                        | O-ring, Viton 101,6x1.78                                   | 1        |
| 10  | <b>70460</b>      | Juego Segmentos 250  | Piston ring set, 250                                       | 1        |
| 11  | <b>70461</b>      | Juego Segmentos 280  | Piston ring set, 280                                       | 1        |
| 12  | <b>70462</b>      | Juego Segmentos 300  | Piston ring set, 300                                       | 1        |
| 13  | <b>55005</b>      | Circlip Bulón  | Clip, piston pin   | 2        |
| 14  | <b>70463</b>      | Bulón Piston   | Piston pin   | 1        |
| 15  | <b>52508</b>      | Cojinete de agujas superior biela                              | Top rod cage bearing                                       | 1        |
| 16A | <b>70465</b>      | Conjunto Pistón A (250)  | Piston, size A complete (250 )                             | 1        |
| 16B | <b>70466</b>      | Conjunto Pistón B (250)  | Piston, size B complete (250)                              | 1        |
| 16C | <b>70467</b>      | Conjunto Pistón C (250)  | Piston, size C complete (250)                              | 1        |
| 17A | <b>70477</b>      | Conjunto Pistón A (280)  | Piston, size A complete (280 )                             | 1        |
| 17B | <b>70478</b>      | Conjunto Pistón B (280)  | Piston, size B complete (280)                              | 1        |
| 17C | <b>70479</b>      | Conjunto Pistón C (280)  | Piston, size C complete (280)                              | 1        |
| 18A | <b>70480</b>      | Conjunto Pistón A (300)  | Piston, size A complete (300 )                             | 1        |
| 18B | <b>70481</b>      | Conjunto Pistón B (300)  | Piston, size B complete (300)                              | 1        |
| 18C | <b>70482</b>      | Conjunto Pistón C (300)  | Piston, size C complete (300)                              | 1        |
| 19  | <b>50901</b>      | Tornillo DIN 6921 M8X1,25X40                                   | Bolt, DIN 6921 M8x1.25x40                                  | 4        |
| 20  | <b>07002MT100</b> | Junta Cilindro 0,5   | Cylinder base gasket 0.5                                   | 1        |
| 21  | <b>07003MT100</b> | Culatín Interno (250)  | Interior cylinder head (250)                               | 1        |
| 22  | <b>07004MT100</b> | Culatín Interno (280)  | Interior cylinder head (280)                               | 1        |

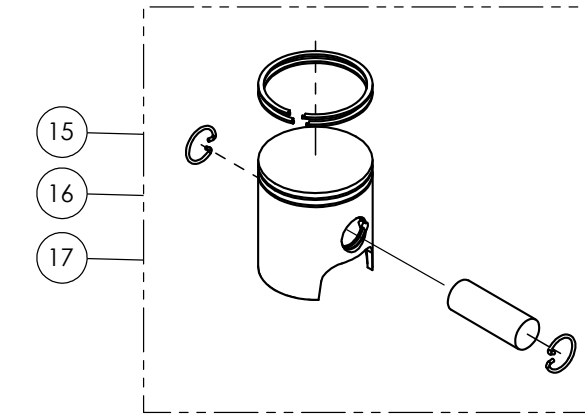
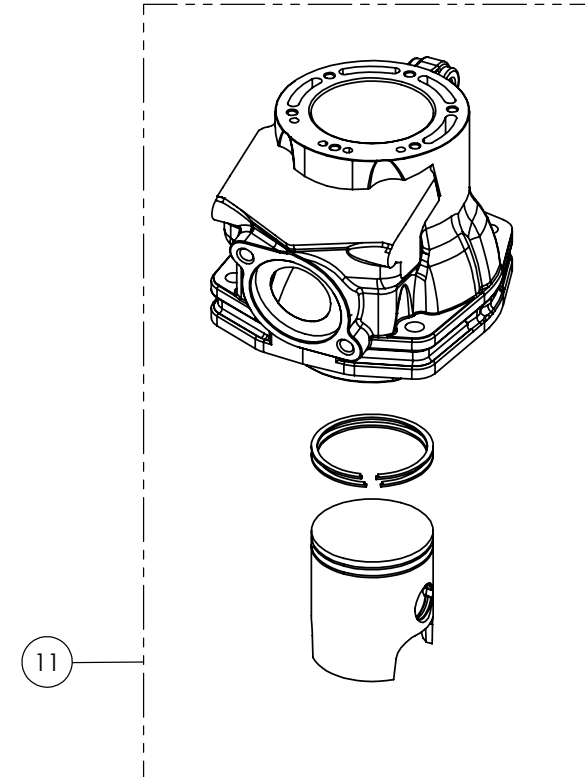
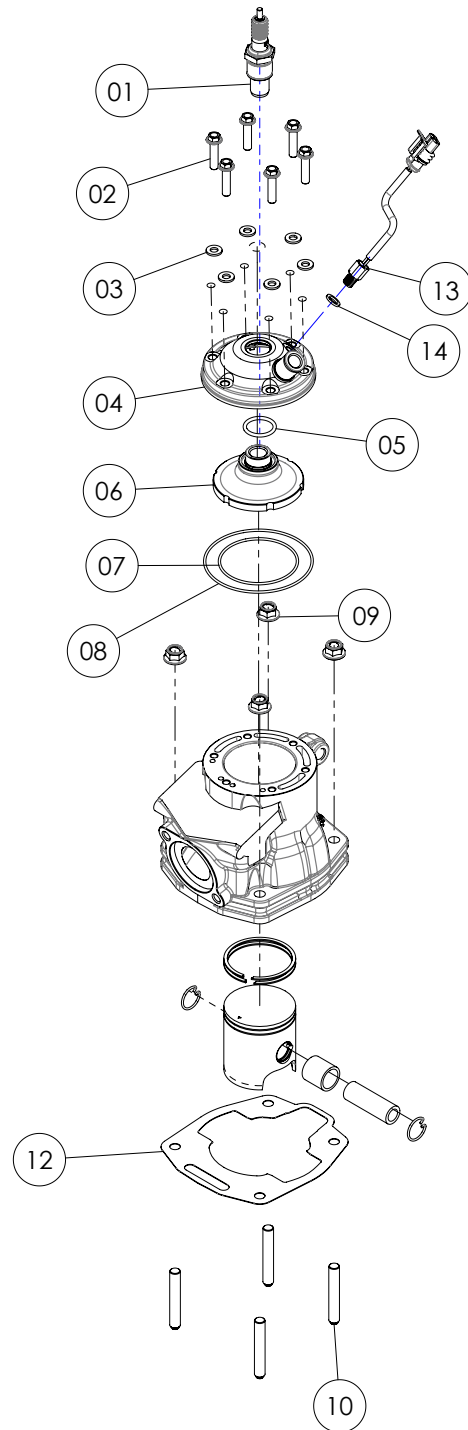


## Despiece / Parts Book TRRS GOLD 2023

| Nº | Código            | Descripción                      | Description                                  | Cantidad |
|----|-------------------|----------------------------------|--|----------|
| 23 | <b>07019MT100</b> | Culatin rosca larga 300cc R      | <i>Cylinder head 300cc long spark plug R</i> | 1        |
| 24 | <b>07006MT100</b> | Conjunto Cilindro Y Pistón (250) | <i>Complete cylinder and piston (250)</i>    | 1        |
| 25 | <b>07007MT100</b> | Conjunto Cilindro Y Pistón (280) | <i>Complete cylinder and piston (280)</i>    | 1        |
| 26 | <b>07008MT100</b> | Conjunto Cilindro Y Pistón (300) | <i>Complete cylinder and piston (300)</i>    | 1        |



# 125cc



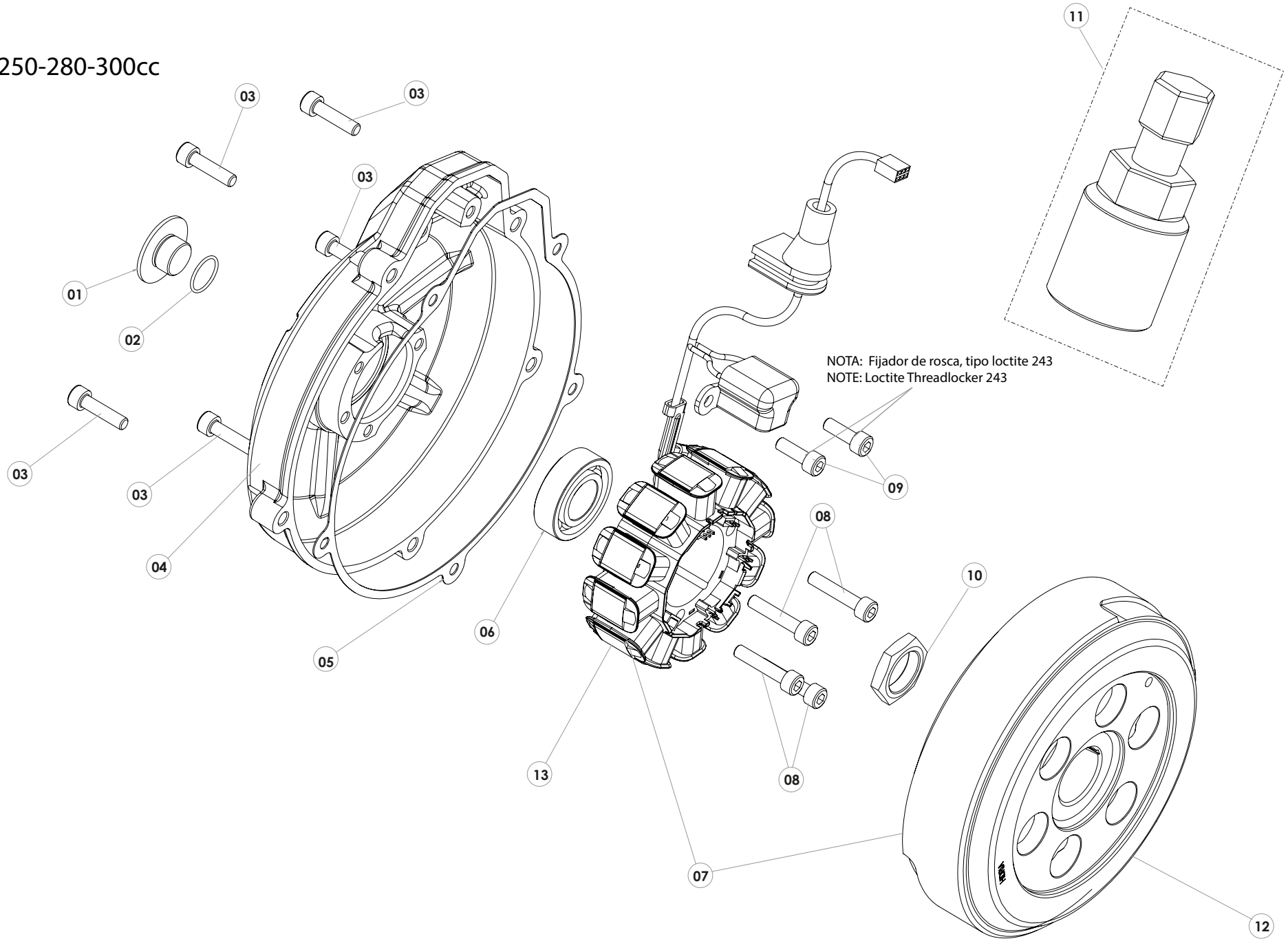
## Despiece / Parts Book TRRS GOLD 2023

## 07 - CP - Cilindro y Pistón - Listado de piezas

| Nº | Código            | Descripción                                    | Description   | Cantidad |
|----|-------------------|--|---|----------|
| 1  | <b>70256</b>      | Bujia NGK BR7ES                                | <i>Spark plug NGK BR7ES</i>   | 1        |
| 2  | <b>50911</b>      | Tornillo DIN 6921 M6X25 Culata                 | <i>Bolt, DIN 6921 M6x25 Cylinder head</i>                                     | 6        |
| 3  | <b>56105</b>      | Arandela Tornillo Culata 6x12x1.5 Copper       | <i>Copper washer, cylinder head bolt 6x12x1.5</i>                             | 6        |
| 4  | <b>07025MT100</b> | Tapa culata 125 T.sensor / culatin rosca larga | <i>Cylinder head cover 125 with T. Sensor / cylinder head long spark plug</i> | 1        |
| 5  | <b>53012</b>      | Tórica Culatín Nbr 20x2,5                      | <i>O-ring, Nbr 20x2.5</i>   | 1        |
| 6  | <b>07031MT100</b> | Culatín 125cc rosca larga, piston alomado      | <i>Cylinder head 125cc long spark plug, raised head piston</i>                | 1        |
| 7  | <b>70485</b>      | Tórica Culata Interior Nbr 58x1,78             | <i>O-ring, Nbr 58x1,78</i>  | 1        |
| 8  | <b>70486</b>      | Tórica Culata Exterior Nbr 79x1,78             | <i>O-ring, Nbr 79x1,78</i>  | 1        |
| 9  | <b>51502</b>      | Tuerca Autoblocante M8                         | <i>Nut. locking type, M8</i>  | 4        |
| 10 | <b>07012MT100</b> | Esparrago cilindro                             | <i>Stud screw</i>   | 4        |
| 11 | <b>07011MT100</b> | Cilindro y piston 125cc                        | <i>Cylinder and piston 125cc</i>  | 1        |
| 12 | <b>07010MT100</b> | Junta Cilindro 0,5 - 125cc                     | <i>Cylinder base gasket 0.5 - 125cc</i>                                       | 1        |
| 13 | <b>70254</b>      | Sensor temperatura                             | <i>Water temperature sensor</i>   | 1        |
| 14 | <b>56102</b>      | Arandela cobre 8x12x1,5                        | <i>Copper washer, 8x12x1.5</i>  | 1        |
| 15 | <b>07015MT100</b> | Conjunto Piston 125 - A                        | <i>Piston 125 - A</i>   | 1        |
| 16 | <b>07016MT100</b> | Conjunto Piston 125 - B                        | <i>Piston 125 - B</i>   | 1        |
| 17 | <b>07017MT100</b> | Conjunto Piston 125 - C                        | <i>Piston 125 - C</i>   | 1        |



250-280-300cc



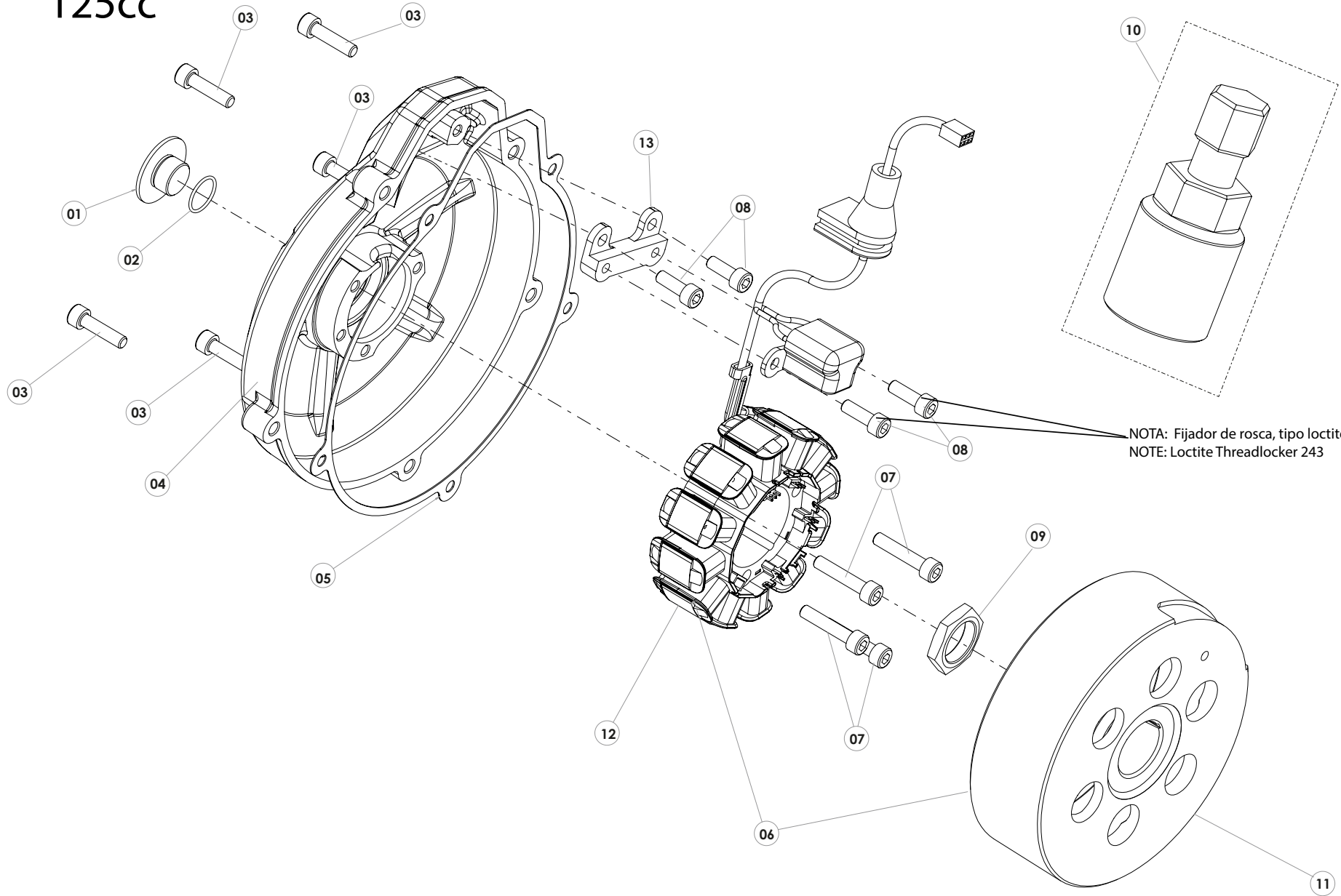
## Despiece / Parts Book TRRS GOLD 2023

## 08 - CE - Encendido - Listado de piezas

| Nº | Código            | Descripción  | Description   | Cantidad |
|----|-------------------|--|---|----------|
| 1  | <b>08001MT101</b> | Tornillo tapa encendido (rojo)   | <i>Bolt, Ignition cover (red)</i>   | 1        |
| 2  | <b>53015</b>      | Tórica Encendido 12x1.5 Nbr  | <i>O-ring, ignition cap 12x1.5 Nbr</i>  | 1        |
| 3  | <b>50112</b>      | Tornillo DIN 912 Allen M5x20 - Tapa Encendido  | <i>Bolt, DIN 912 Allen M5x20 - Ignition cover</i>   | 5        |
| 4  | <b>08002MT201</b> | Tapa encendido TRRS Gold   | <i>Ignition cover TRRS Gold</i>   | 1        |
| 5  | <b>08003MT100</b> | Junta Tapa Encendido   | <i>Gasket, Ignition cover</i>   | 1        |
| 6  | <b>52104</b>      | Rodamiento Tapa Encendido 6003   | <i>Bearing, Ignition cover</i>  | 1        |
| 7  | <b>70201</b>      | Volante Magnético + Stator + Pick Up - (véase (02) en la lámina 09-IE-Inst. Eléctrica) | <i>Magneto flywheel , Stator and pickup - (see item (02) in drawing 09-IE electrical system</i> | 1        |
| 8  | <b>50121</b>      | Tornillo Din 912 Allen M5x25 - Stator  | <i>Bolt, DIN 912 Allen M5x25 - Stator</i>   | 4        |
| 9  | <b>50122</b>      | Tornillo Din 912 Allen M5x10 - Pick Up   | <i>Bolt, DIN 912 Allen M5x10 - Pickup</i>   | 2        |
| 10 | <b>08004MT100</b> | Tuerca Volante Magnético   | <i>Nut, magneto flywheel</i>  | 1        |
| 11 | <b>08005MT100</b> | Extractor Volante Magnético TRS  | <i>Removal tool, Magneto flywheel TRS</i>   | 1        |
| 12 | <b>70224</b>      | Volante Magnético TRS  | <i>Magneto flywheel TRS</i>   | 1        |
| 13 | <b>70225</b>      | Stator + Pick Up   | <i>Stator and pickup</i>  | 1        |



125cc



NOTA: Fijador de rosca, tipo loctite 243  
NOTE: Loctite Threadlocker 243



## Despiece / Parts Book TRRS GOLD 2023

| Nº | Código            | Descripción                                       | Description                                       | Cantidad |
|----|-------------------|---|---|----------|
| 1  | <b>08001MT101</b> | Tornillo tapa encendido (rojo)                    | <i>Bolt, Ignition cover (red)</i>                 | 1        |
| 2  | <b>53015</b>      | Tórica Encendido 12x1.5 Nbr                       | <i>O-ring, ignition cap 12x1.5 Nbr</i>            | 1        |
| 3  | <b>50112</b>      | Tornillo DIN 912 Allen M5x20 - Tapa Encendido     | <i>Bolt, DIN 912 Allen M5x20 - Ignition cover</i> | 5        |
| 4  | <b>08008MT201</b> | Tapa encendido TRRS Gold 125cc                    | <i>Ignition cover TRRS Gold 125cc</i>             | 1        |
| 5  | <b>08003MT100</b> | Junta Tapa Encendido                              | <i>Gasket, Ignition cover</i>                     | 1        |
| 6  | <b>70235</b>      | Conjunto encendio (volante+estator+pick-up) 125cc | <i>Flywheel magneto TRS 125cc</i>                 | 1        |
| 7  | <b>50121</b>      | Tornillo Din 912 Allen M5X25 - Stator             | <i>Bolt, DIN 912 Allen M5x25 - Stator</i>         | 4        |
| 8  | <b>50122</b>      | Tornillo Din 912 Allen M5X10 - Pick Up            | <i>Bolt, DIN 912 Allen M5x10 - Pickup</i>         | 4        |
| 9  | <b>08004MT100</b> | Tuerca Volante Magnético                          | <i>Nut, magneto flywheel</i>                      | 1        |
| 10 | <b>08005MT100</b> | Extractor Volante Magnético TRS                   | <i>Removal tool, Magneto flywheel TRS</i>         | 1        |
| 11 | <b>70233</b>      | Volante Magnético TRS 125cc                       | <i>Magneto flywheel TRS 125cc</i>                 | 1        |
| 12 | <b>70225</b>      | Stator + Pick Up                                  | <i>Stator and pickup</i>                          | 1        |
| 13 | <b>08007MT100</b> | Distanciador pick-up                              | <i>Spacer pick-up</i>                             | 1        |

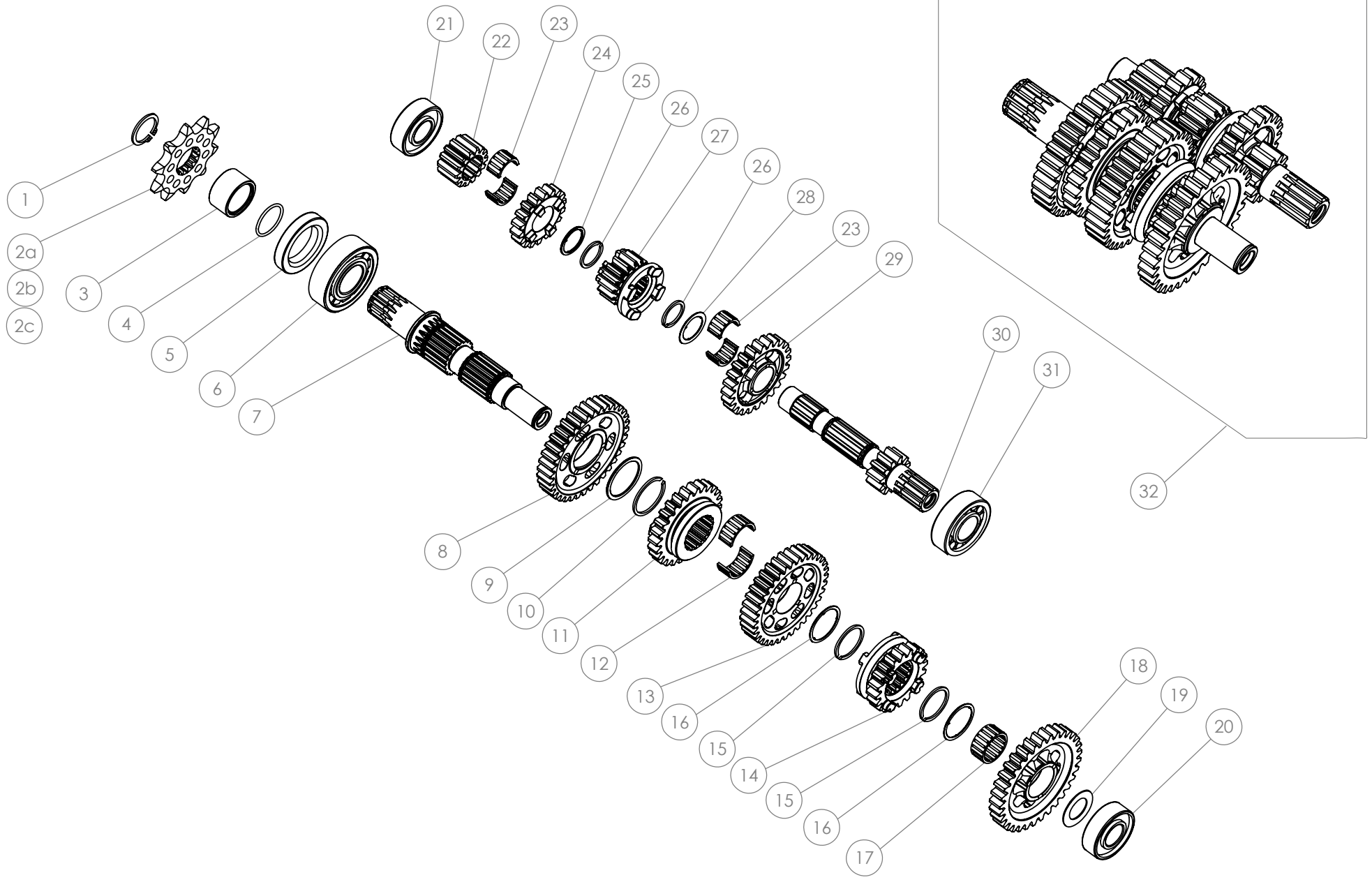


D

C

B

A



Despiece GOLD 2023  
 09 - CM - Cambio - Explosionado  
 TRRS Motorcycles



## Despiece / Parts Book TRRS GOLD 2023

## 09 - CM - Cambio - Listado de piezas

| Nº | Código     | Descripción                                    | Description                                    | Cantidad |
|----|------------|--|--|----------|
| 1  | 55012      | Circlip DIN-471 Ø19                            | Circlip DIN-471 Ø19                            | 1        |
| 2a | 09020MT100 | Piñon salida 10Z (250-280-300cc)               | Sprocket 10Z (250-280-300cc)                   | 1        |
| 2b | 09027MT100 | Piñon salida 8Z (Solo 125cc)                   | Sprocket 8Z (only 125cc)                       | 1        |
| 2c | 09026MT100 | Piñon salida 11Z (Solo recambios)              | Sprocket 11Z (only spare parts)                | 1        |
| 3  | 09021MT100 | Casquillo piñon salida                         | Bushing, sprocket                              | 1        |
| 4  | 53017      | Junta tórica Casquillo Piñon Salida 20X1,5     | O-ring, Bushing sprocket, 20X1,5               | 1        |
| 5  | 54010      | Retén Piñon Salida Doble Labio Ø26Ø40L7        | Double Lip Seal Ø26Ø40 L7                      | 1        |
| 6  | 52111      | Rodamiento de bolas 6204-C                     | Bearing 6204-C                                 | 1        |
| 7  | 09019MT100 | Eje Secundario                                 | Countershaft                                   | 1        |
| 8  | 09004MT100 | Piñón 2ª Secundario                            | Gear, 2nd, secondary                           | 1        |
| 9  | 09005MT100 | Arandela 30x25,1x1 Piñón 2ª Secundario         | Washer, 30x25,1x1 Secondary 2nd gear           | 1        |
| 10 | 55009      | Circlip SW 25x1.2                              | Circlip, SW 25x1.2                             | 1        |
| 11 | 09006MT100 | Piñón 4ª Secundario                            | Gear, 4th Secondary                            | 1        |
| 12 | 52509      | Rodamiento Agujas Partido K18x22x10D           | Needle bearing, two-piece K18x22x10D           | 1        |
| 13 | 09008MT100 | Piñón 3ª Secundario                            | Gear, 3rd Secondary                            | 1        |
| 14 | 09009MT100 | Piñón 5ª Secundario                            | Gear, 5th Secondary                            | 1        |
| 15 | 55007      | Circlip SW 22x1.2                              | Circlip, SW 22x1.2                             | 2        |
| 16 | 09007MT100 | Arandela 26x22x0,5 Piñón 3ª Secundario Dentada | Toothed washer, 26x22x0,5, 3rd gear, Secondary | 2        |
| 17 | 52510      | Rodamiento Agujas K18x22x10                    | Needle bearing, K18x22x10                      | 1        |
| 18 | 09010MT100 | Piñón 1ª Secundario                            | Gear, 1st Secondary                            | 1        |
| 19 | 09024MT100 | Arandela 15,1x25,5x0,8                         | Washer 15,1x25,5x0,8                           | 1        |
| 20 | 52107      | Rodamiento 15,1x25,5x01                        | Bearing 15,1x25,5x1                            | 1        |
| 21 | 52201      | Rodamiento Primario Izquierdo 7202-B-Tvp       | Bearing, Primary left 7202-B-TVP               | 1        |
| 22 | 09012MT100 | Piñón 2ª Primario                              | Gear, 2nd Primary                              | 1        |
| 23 | 52511      | Rodamiento Agujas Partido K14x18x10D           | Needle bearing, two-piece K14x18x10D           | 2        |
| 24 | 09013MT100 | Piñón 4ª Primario                              | Gear, 4th Primary                              | 1        |
| 25 | 09014MT100 | Arandela 20x16,65x1 Primario Dentada           | Toothed washer, 20x16,65x1 Primary             | 1        |
| 26 | 55008      | SW 16 Circlip 16X1.2                           | Circlip, SW 16 - 16x1.2                        | 2        |
| 27 | 09015MT100 | Piñón 3ª Primario                              | Gear, 3rd Primary                              | 1        |



## Despiece / Parts Book TRRS GOLD 2023

09 - CM - Cambio - Listado de piezas

| Nº | Código            | Descripción                              | Description                                | Cantidad |
|----|-------------------|--|--|----------|
| 28 | <b>09016MT100</b> | Arandela 22,5X16,65X0,5 Dentada          | <i>Toothed washer, 22.5x16.65x0.5</i>      | 1        |
| 29 | <b>09017MT100</b> | Piñón 5ª Primario                        | <i>Gear, 5th Primary</i>                   | 1        |
| 30 | <b>09018MT100</b> | Eje Primario                             | <i>Primary shaft</i>                       | 1        |
| 31 | <b>52301</b>      | Rodamiento Primario Derecho Nj203-E-Tvp2 | <i>Bearing, Primary right NJ203-E-TVP2</i> | 1        |
| 32 | <b>09025MT100</b> | Conjunto Piñones y Ejes Cambio           | <i>Kit, Gears and Shafts (Gearbox)</i>     | 1        |

