

KIT XTRACK

TRS **XTRACK**

ONE

300-280-250

2021

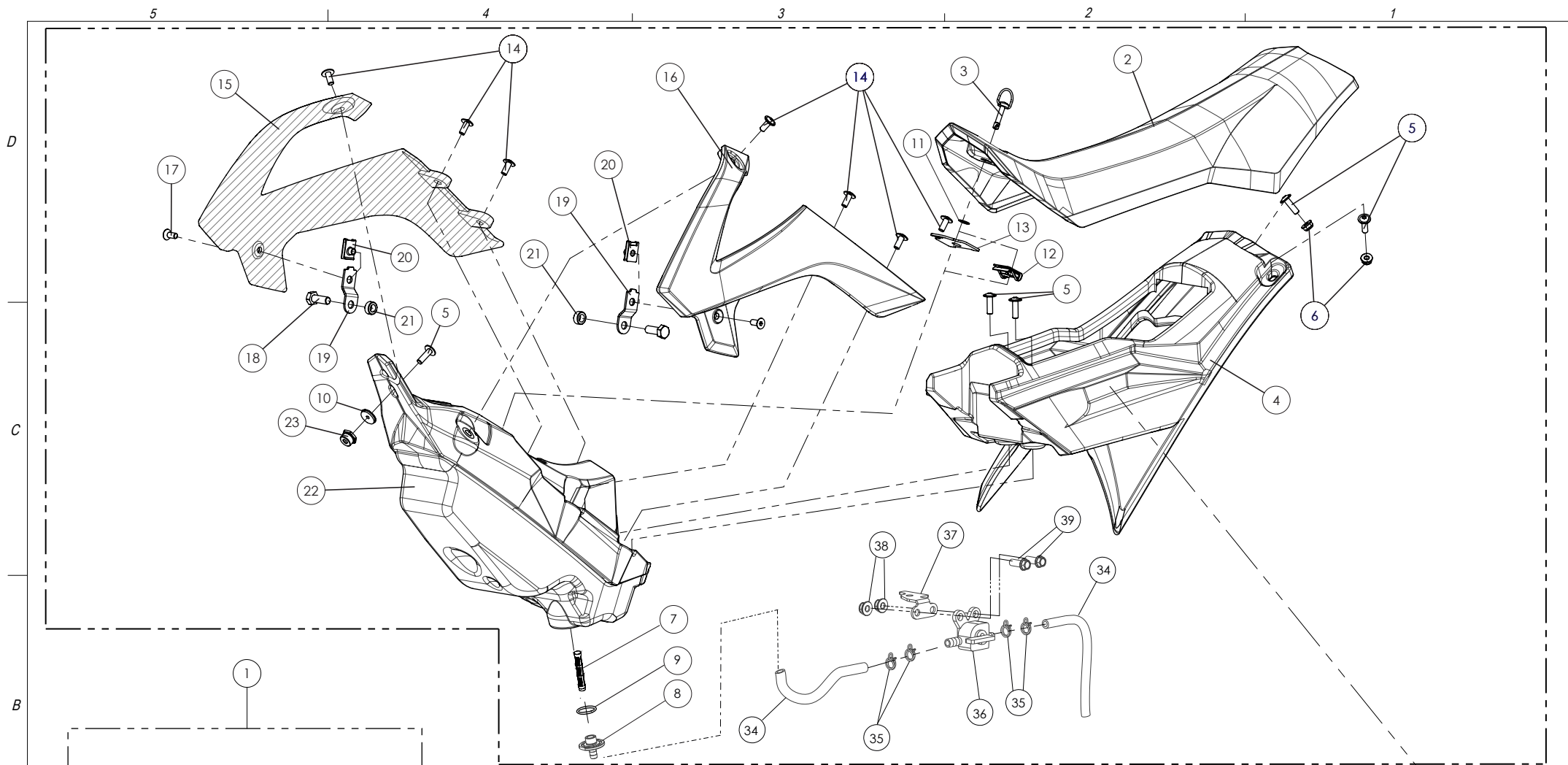


This kit is a competition accessory only and is not manufactured for, nor should it be used on public streets, roads or highways. The use of this kit should be limited to participation in sanctioned competition events upon a closed course.

Dec 2020

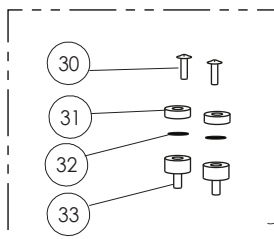


TRS[®]
MOTORCYCLES

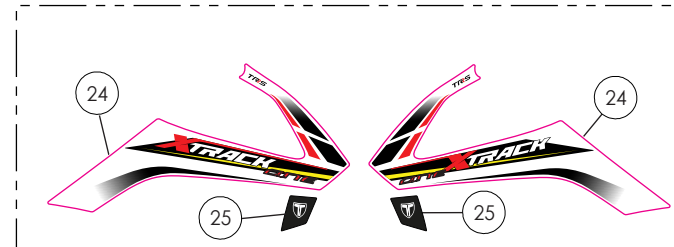


Escojer entre las opciones / Choose between options:

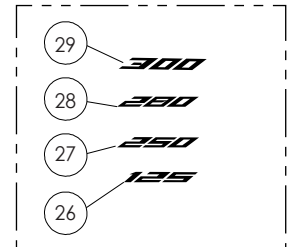
A) Kit conversión Xtrack a Trial
Conversion Kit Xtrack to Trial



B) Adhesivos Aleta / Stickers spoiler



C) Adhesivos cilindrada /
Stickers engine size



This kit is a competition accessory only and is not manufactured for, nor should it be used on public streets, roads or highways. The use of this kit should be limited to participation in sanctioned competition events upon a closed course.



Despiece TRRS XTRACK ONE 2021

17- CX - Conjunto Kit XTrack ONE

TRRS Motorcycles



XTRACK ONE 2021 - TRRS Motorcycles

01	17000TR101	Conjunto X-Track ONE	<i>XTrack Kit ONE</i>	1
02	17001TR100	Asiento XTrack	<i>Seat XTrack</i>	1
03	58018	Cierre 1/4 de vuelta	<i>Quarter turn screw</i>	1
04	17002TR100	Subchasis Xtrack	<i>Subframe Xtrack</i>	1
05	50211	Tornillo M6x20	<i>Screw M6x20</i>	5
06	51501	Tuerca Autoblocante M6	<i>Locknut M6</i>	2
07	70128	Filtro gasolina roscado	<i>Fuel filter threaded</i>	1
08	17014TR100	Adaptador grifo deposito gasolina	<i>Fuel tap tank adapter</i>	1
09	53022	Junta tórica depósito 18x2 XTrack	<i>O-ring 18x2</i>	1
10	56901	Arandela Metal - Goma Depósito Gasolina - Aparece en la lámina 06 despiece XTRACK RR	<i>Washer, rubber-metal, fuel tank - Appears in drawing 06 - XTRACK RR</i>	1
11	58019	Reten a presión acero inoxidable	<i>Panex retainer quarter turn screw</i>	1
12	58017	Grapa cierre 1/4 de vuelta	<i>Quarter turn clamp</i>	1
13	17009TR100	Soporte delantero asiento	<i>Seat front support</i>	1
14	50209	Tornillo M6x14	<i>Screw M6x14</i>	7
15	17004TR100	Aleta derecha Xtrack	<i>Spoiler Xtrack right side</i>	1
16	17003TR100	Aleta izquierda Xtrack	<i>Spoiler Xtrack left side</i>	1
17	50302	Tornillo Avellanado M6x14	<i>Bolt DIN-7991 M6x14</i>	2
18	50504	Tornillo M8x22	<i>Bolt M8x22</i>	2
19	17018TR100	Soporte aleta XTrack	<i>Support Spoiler XTrack</i>	2
20	51301	Grapa M6	<i>Clip-nut, M6</i>	2
21	17008TR100	Separador soporte aleta	<i>Spacer spoiler support</i>	2
22	17006TR100	Depósito gasolina Xtrack	<i>Fuel tank Xtrack</i>	1
23	17017TR100	Adaptador deposito / chasis	<i>Adapter fuel tank / frame</i>	1
24	15065TR118	Adhesivo Aleta XTrack ONE	<i>Sticker, Spoiler Xtrack</i>	1
25	15067TR104	Adhesivo Aleta Inferior XTrack	<i>Sticker, lower spoiler Xtrack</i>	1
26	15068TR113	Juego adhesivos cilindrada - 125	<i>Sticker, engine size 125</i>	1
27	15068TR114	Juego adhesivos cilindrada - 250	<i>Sticker, engine size 250</i>	1
28	15068TR115	Juego adhesivos cilindrada - 280	<i>Sticker, engine size 280</i>	1
29	15068TR116	Juego adhesivos cilindrada - 300	<i>Sticker, engine size 300</i>	1
30	50202	Tornillo M6x16	<i>Screw M6x16</i>	2
31	17019TR100	Distanciador 6x20x5	<i>Spacer 6x20x5</i>	2
32	53023	Tórica 5,5x1,5	<i>O`ring 5,5x1,5</i>	2
33	63003	Silentblock 20x10 M6	<i>Silentblock 20x10 M6</i>	2

This kit is a competition accessory only and is not manufactured for, nor should it be used on public streets, roads or highways. The use of this kit should be limited to participation in sanctioned competition events upon a closed course.

XTRACK ONE 2021 - TRRS Motorcycles

34	62102	Tubo goma grifo gasolina	<i>Fuel tap hose</i>	2
35	58021	Abrazadera alambre	<i>Wire clamp</i>	4
36	70127	Grifo gasolina en linea (leva metalica)	<i>In line fuel tap (metal lever)</i>	1
37	17016TR100	Soporte grifo gasolina	<i>Fuel tap support</i>	1
38	51501	Tuerca Autoblocante M6	<i>Locknut M6</i>	2
39	50903	Tornillo DIN 691 M6x16	<i>Bolt, DIN 6921 M6x16</i>	2

This kit is a competition accessory only and is not manufactured for, nor should it be used on public streets, roads or highways. The use of this kit should be limited to participation in sanctioned competition events upon a closed course.