

# KIT XTRACK

**TRRS XTRACK**

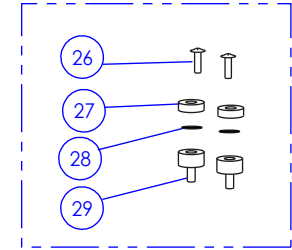
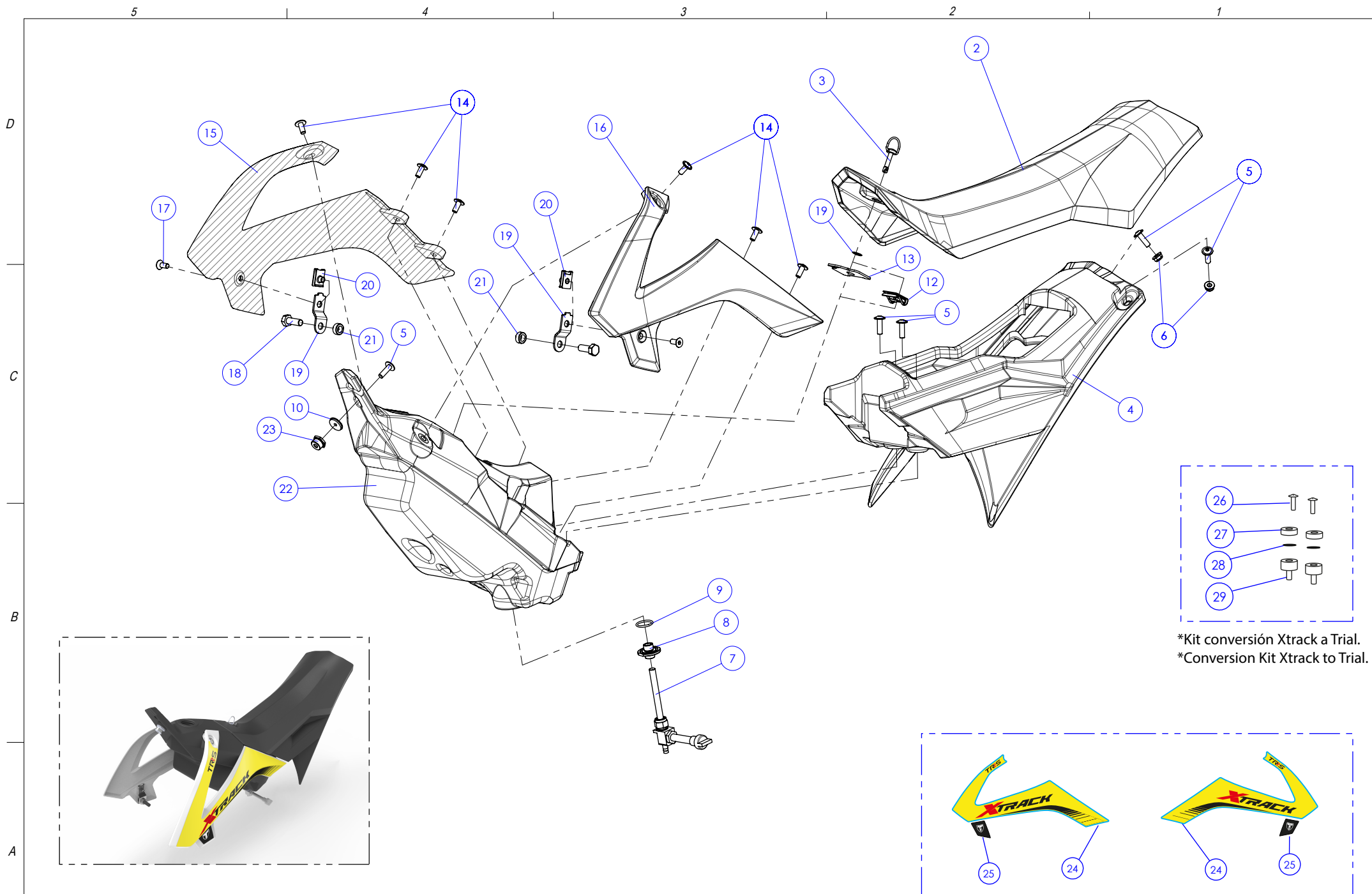
2019



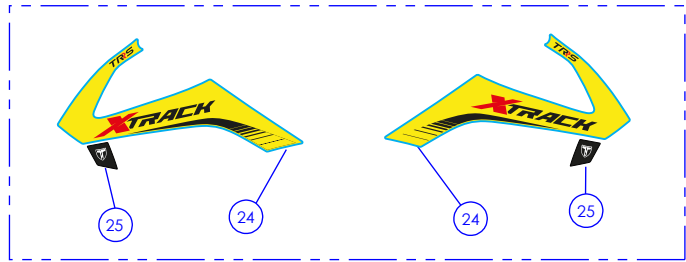
*This kit is a competition accessory only and is not manufactured for, nor should it be used on public streets, roads or highways. The use of this kit should be limited to participation in sanctioned competition events upon a closed course.*



**TRRS**  
MOTORCYCLES



\*Kit conversión Xtrack a Trial.  
\*Conversion Kit Xtrack to Trial.



Sólo válido para carburador Dellorto. *Only suitable with Dellorto carburetor.*  
*This kit is a competition accessory only and is not manufactured for, nor should it be used on public streets, roads or highways. The use of this kit should be limited to participation in sanctioned competition events upon a closed course.*

## XTRACK 2019 - TRRS Motorcycles

01	<b>17000TR100</b>	Conjunto XTrack	<i>XTrack Kit</i>	<b>1</b>
02	<b>17001TR100</b>	Asiento XTrack	<i>Seat XTrack</i>	<b>1</b>
03	<b>58018</b>	Cierre 1/4 de vuelta	<i>Quarter turn screw</i>	<b>1</b>
04	<b>17002TR100</b>	Subchasis Xtrack	<i>Subframe Xtrack</i>	<b>1</b>
05	<b>50212</b>	Tornillo M6x25	<i>Screw M6x25</i>	<b>5</b>
06	<b>51501</b>	Tuerca Autoblocante M6	<i>Locknut M6</i>	<b>2</b>
07	<b>70125</b>	Grifo gasolina XTrack	<i>Fuel tap Xtrack</i>	<b>1</b>
08	<b>17015TR100</b>	Adaptador grifo deposito gasolina	<i>Fuel tap tank adapter</i>	<b>1</b>
09	<b>53022</b>	Junta tórica depósito 18x2 XTrack	<i>O-ring 18x2</i>	<b>1</b>
10	<b>56901</b>	Arandela Metal - Goma Depósito Gasolina	<i>Washer, rubber-metal, fuel tank</i>	<b>1</b>
11	<b>58019</b>	Reten a presión acero inoxidable	<i>Panex retainer quarter turn screw</i>	<b>1</b>
12	<b>58017</b>	Grapa cierre 1/4 de vuelta	<i>Quarter turn clamp</i>	<b>1</b>
13	<b>17009TR100</b>	Soporte delantero asiento	<i>Seat front support</i>	<b>1</b>
14	<b>50209</b>	Tornillo M6x14	<i>Screw M6x14</i>	<b>6</b>
15	<b>17004TR100</b>	Aleta derecha Xtrack	<i>Spoiler Xtrack right side</i>	<b>1</b>
16	<b>17003TR100</b>	Aleta izquierda Xtrack	<i>Spoiler Xtrack left side</i>	<b>1</b>
17	<b>50302</b>	Tornillo Avellanado M6x14	<i>Bolt DIN-7991 M6x14</i>	<b>2</b>
18	<b>50504</b>	Tornillo M8x22	<i>Bolt M8x22</i>	<b>2</b>
19	<b>17018TR100</b>	Soporte aleta XTrack	<i>Support Spoiler XTrack</i>	<b>2</b>
20	<b>51301</b>	Grapa M6	<i>Clip-nut, M6</i>	<b>2</b>
21	<b>17008TR100</b>	Separador soporte aleta	<i>Spacer spoiler support</i>	<b>2</b>
22	<b>17006TR100</b>	Depósito gasolina Xtrack	<i>Fuel tank Xtrack</i>	<b>1</b>
23	<b>17017TR100</b>	Adaptador deposito / chasis	<i>Adapter fuel tank / frame</i>	<b>1</b>
24	<b>15067TR103</b>	Adhesivo Aleta XTrack 2019	<i>Sticker, Spoiler Xtrack 2019</i>	<b>1</b>
25	<b>15067TR104</b>	Adhesivo Aleta Inferior XTrack 2019	<i>Sticker, lower spoiler Xtrack 2019</i>	<b>1</b>
26	<b>50202</b>	Tornillo M6x16	<i>Screw M6x16</i>	<b>2</b>
27	<b>17019TR100</b>	Distanciador 6x20x5	<i>Spacer 6x20x5</i>	<b>2</b>
28	<b>53023</b>	Tórica 5,5x1,5	<i>O`ring 5,5x1,5</i>	<b>2</b>
29	<b>63003</b>	Silentblock 20x10 M6	<i>Silentblock 20x10 M6</i>	<b>2</b>

*This kit is a competition accessory only and is not manufactured for, nor should it be used on public streets, roads or highways. The use of this kit should be limited to participation in sanctioned competition events upon a closed course.*