

KIT XTRACK

TRS XTRACK

R/R
RAGA RACING

ELECTRIC START

300-280-250

2019



This kit is a competition accessory only and is not manufactured for, nor should it be used on public streets, roads or highways. The use of this kit should be limited to participation in sanctioned competition events upon a closed course.

Jul. 2019 V.1



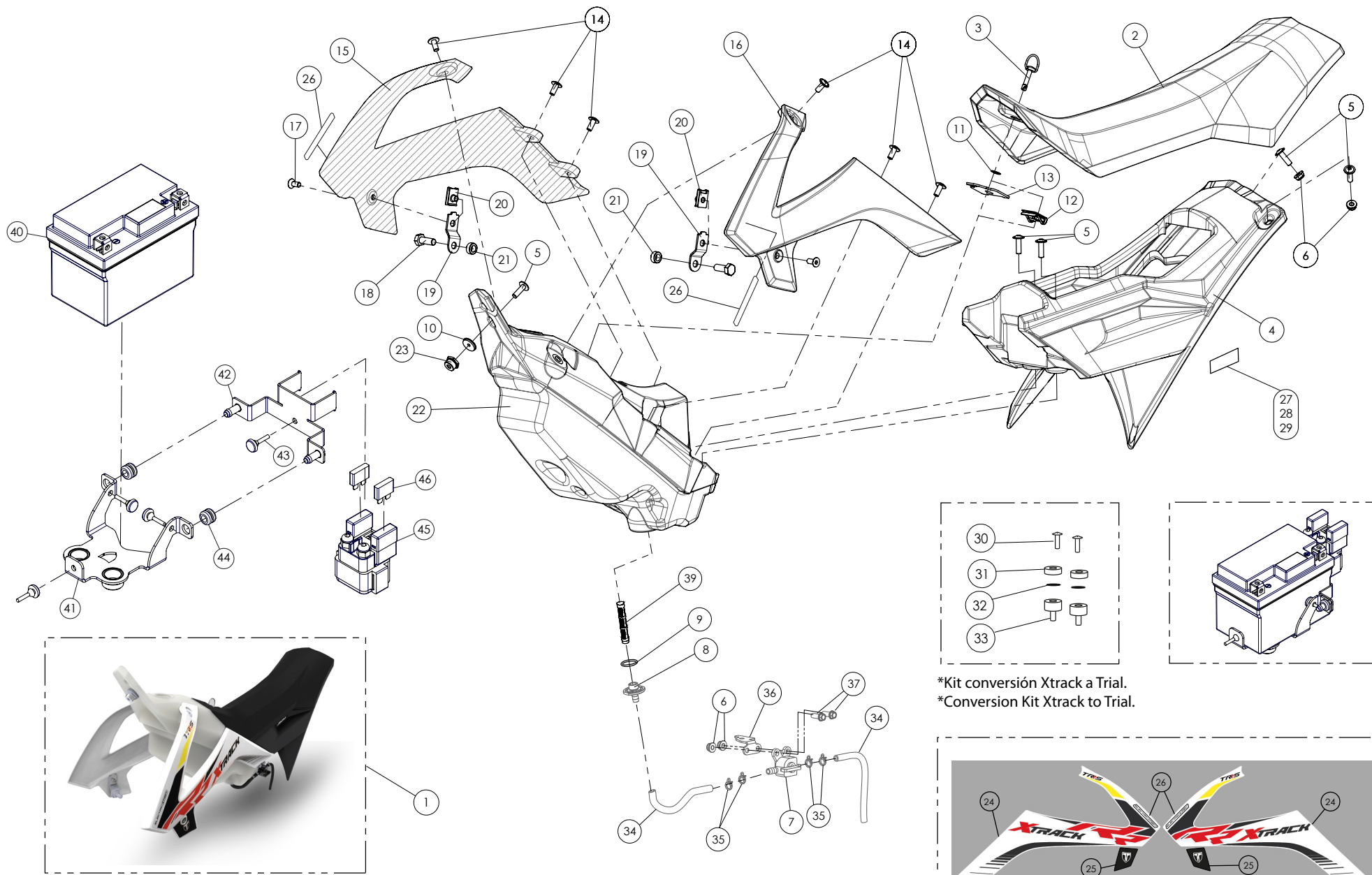
TRS
MOTORCYCLES

D

C

B

A



- 30 — [Fastener]
- 31 — [Fastener]
- 32 — [Fastener]
- 33 — [Fastener]

*Kit conversión Xtrack a Trial.
 *Conversion Kit Xtrack to Trial.

Sólo válido para carburador Keihin. Only suitable for Keihin carburetor.
 This kit is a competition accessory only and is not manufactured for, nor should it be used on public streets, roads or highways. The use of this kit should be limited to participation in sanctioned competition events upon a closed course.



Despiece TRRS XTRACK RR electric start 2019
Kit XTRACK ELECTRIC START - Explosionado
 TRRS Motorcycles



Despiece TRRS XTRACK RR electric start 2019

Kit Xtrack electric start

Nº	Código	Descripción	Description	Cantidad
1	17000TR100	Conjunto XTrack RR	XTrack Kit RR	1
2	17001TR100	Asiento XTrack	Seat XTrack	1
3	58018	Cierre 1/4 de vuelta	Quarterturnscrew	1
4	17002TR101	Subchasis Xtrack arranque electrico	Subframe Xtrack electric starter	1
5	50211	Tornillo M6x20	Screw M6x20	5
6	51501	Tuerca Autoblocante M6	Locknut M6	4
7	70127	Grifo gasolina en linea (leva metalica)	In linefueltap (metal lever)	1
8	17014TR100	Adaptador grifo deposito gasolina	Fueltap tank adapter	1
9	53022	Junta tórica depósito 18x2 XTrack	O-ring 18x2	1
10	56901	Arandela Metal -Goma Depósito Gasolina Aparece en la lámina 06 despiece XTRACK RR	Washer, rubber-metal, fueltank -Appears in drawing 06 -XTRACK RR	-
11	58019	Reten a presión acero inoxidable	Panexretainerquarterturnscrew	1
12	58017	Grapa cierre 1/4 de vuelta	Quarterturnclamp	1
13	17009TR100	Soporte delantero asiento	Seatfront support	1
14	50209	Tornillo M6x14	Screw M6x14	6
15	17004TR100	Aleta derecha Xtrack	SpoilerXtrackright side	1
16	17003TR100	Aleta izquierda Xtrack	SpoilerXtrackleftside	1
17	50302	Tornillo Avellanado M6x14	Bolt DIN-7991 M6x14	2
18	50504	Tornillo M8x22	Bolt M8x22	2
19	17018TR100	Soporte aleta XTrack	Support SpoilerXTrack	2
20	51301	Grapa M6	Clip-nut,M6	2
21	17008TR100	Separador soporte aleta	Spacerspoilersupport	2
22	17006TR100	Depósito gasolina Xtrack translúcido	Fueltank Xtrack translucid	1
23	17017TR100	Adaptador deposito / chasis	Adapter fueltank /frame	1
24	15067TR112	Adhesivo Aleta XTrack 2019	Sticker,SpoilerXtrack 2019	1
25	15067TR104	Adhesivo Aleta Inferior XTrack 2019	Sticker, lowerspoilerXtrack 2019	1
26	15071TR101	Adhesivo arranque electrico	Sticker, electric start	2
27	15068TR114	Juego adhesivos cilindrada -250	Sticker,engine size 250	1
28	15068TR115	Juego adhesivos cilindrada -280	Sticker,engine size 280	1



Despiece TRRS XTRACK RR electric start 2019

Kit Xtrack electric start

Nº	Código	Descripción	Description	Cantidad
29	15068TR116	Juego adhesivos cilindrada -300	Sticker,engine size 300	1
30	50202	Tornillo M6x16	Screw M6x16	2
31	17019TR100	Distanciador 6x20x5	Spacer6x20x5	2
32	53023	Torica 5,5x1,5	O`ring 5,5x1,5	2
33	63003	Silentblock 20x10 M6	Silentblock 20x10 M6	2
34	62102	Tubo goma grifo gasolina	Fuel-tap hose	2
35	58021	Abrazadera Alambre	Wire Clamp	4
36	17016TR100	Soporte grifo gasolina	Fueltap support	1
37	50903	Tornillo DIN 6921 M6x16	Bolt,DIN 6921 M6x16	2
38	58010	Clip Tubo	Fuelhose clip	1
39	70128	Filtro gasolina roscado	Fuel filter threaded	1
40	70244	Bateria Ion litio 12V	Lithium Ion battery 12V	1
41	17020TR100	Soporte bateria	Battery support	1
42	17021TR100	Soporte rele arranque	Starter relay suport	1
43	63005	Tope goma semiesferico	Semi-spherical stopper rubber	3
44	63004	Pasamuros Ø6	Grommet Ø6	2
45	70245	Relé arranque 12V	Starter relay 12V	1
46	70246	Fusible 30A	Fuse 30A	2

